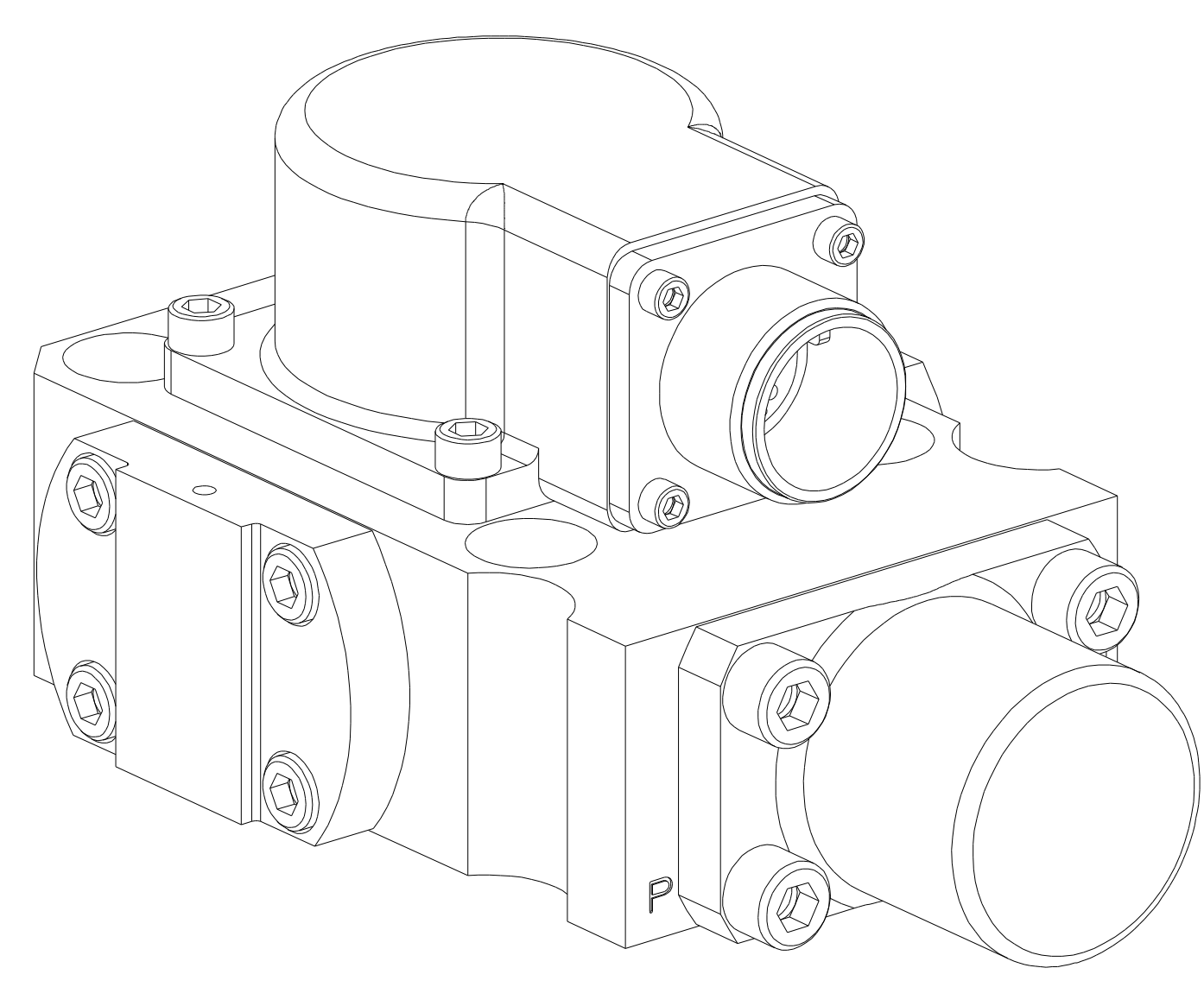
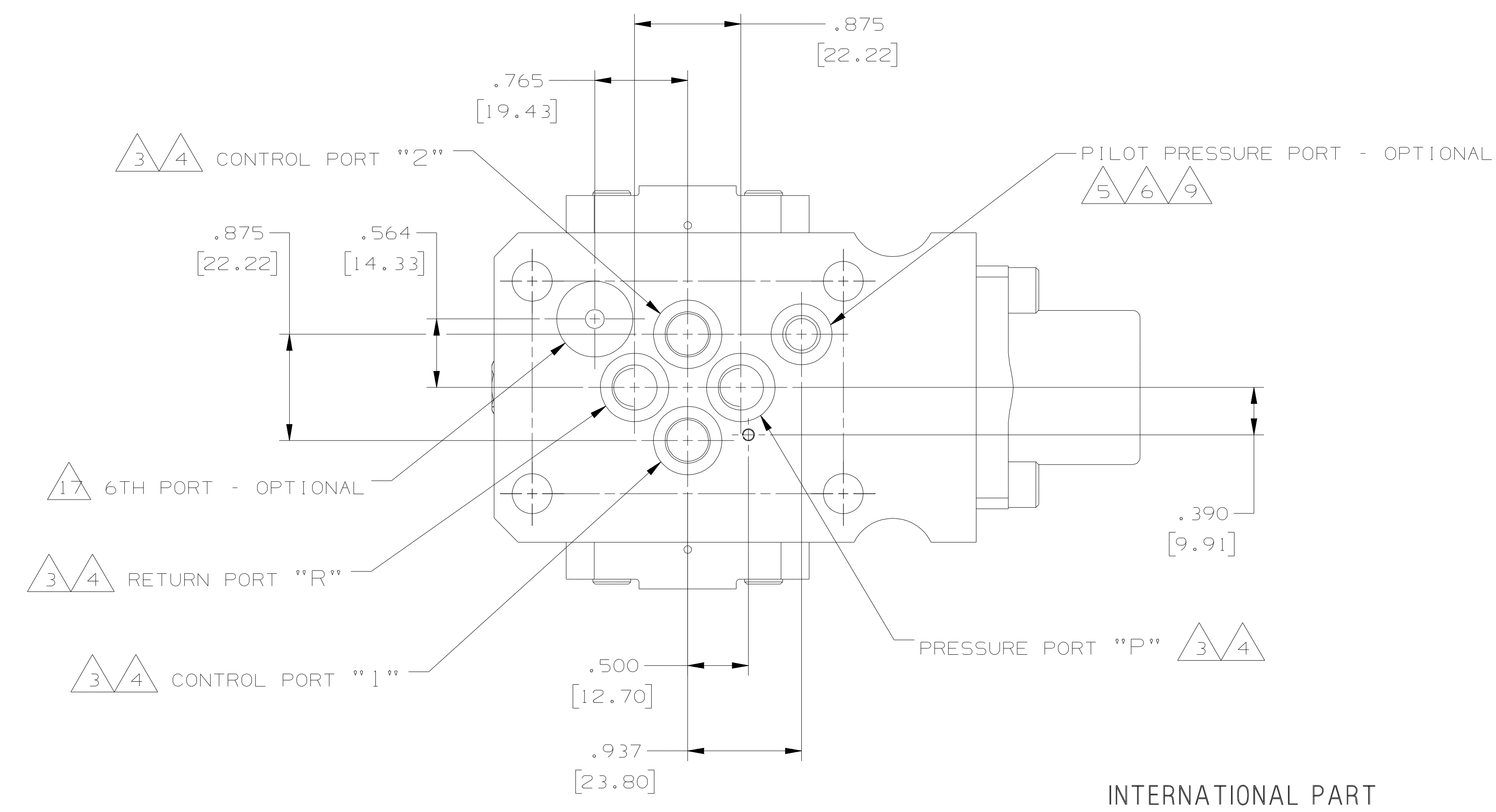
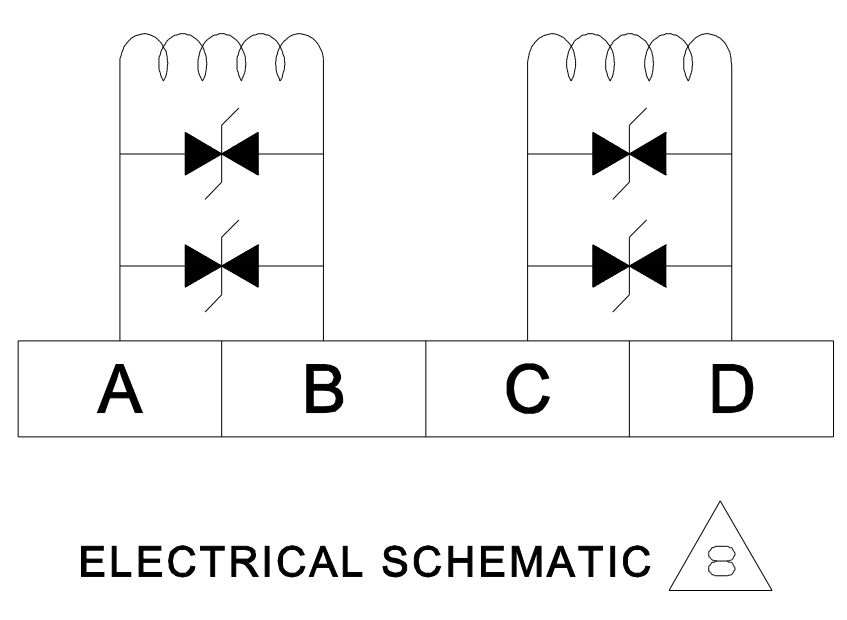
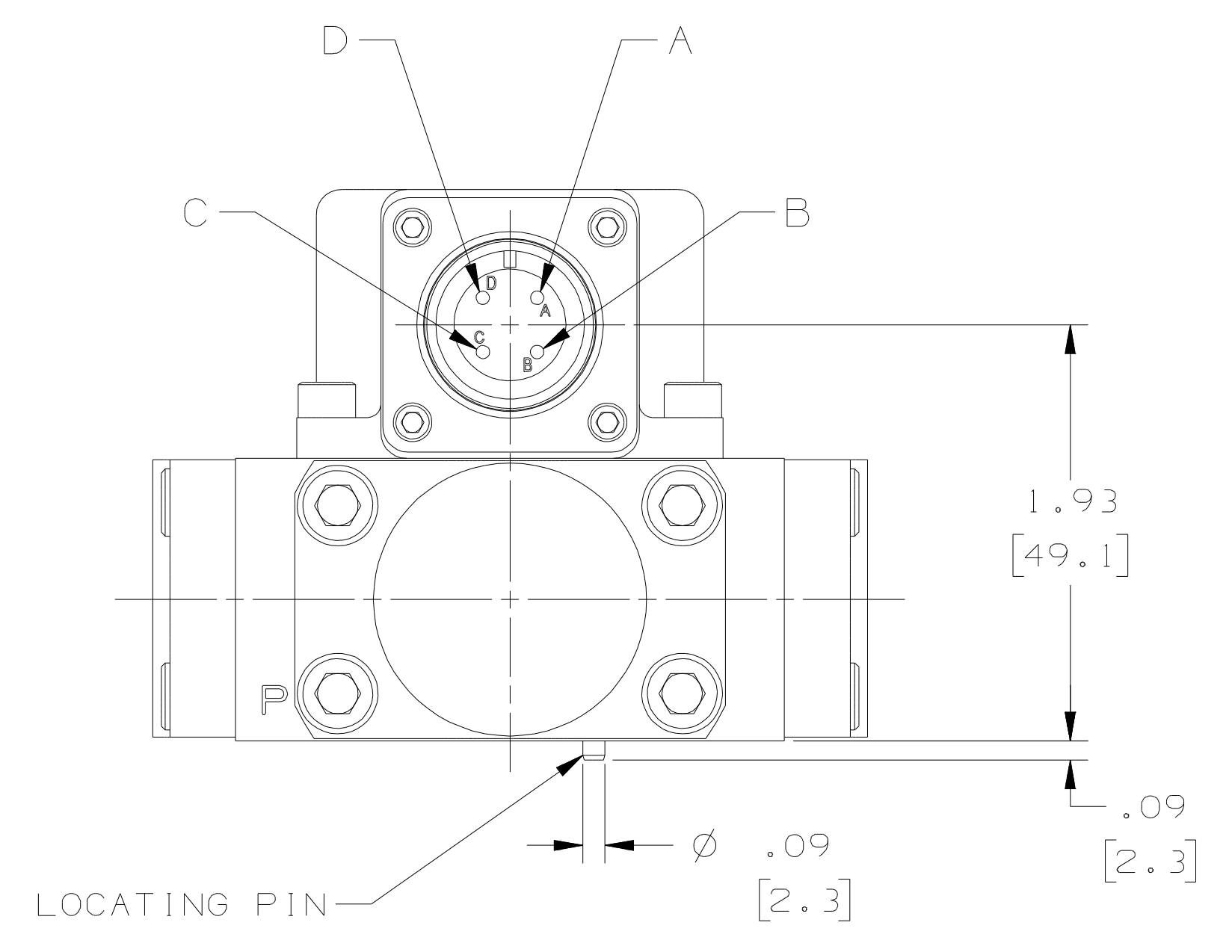
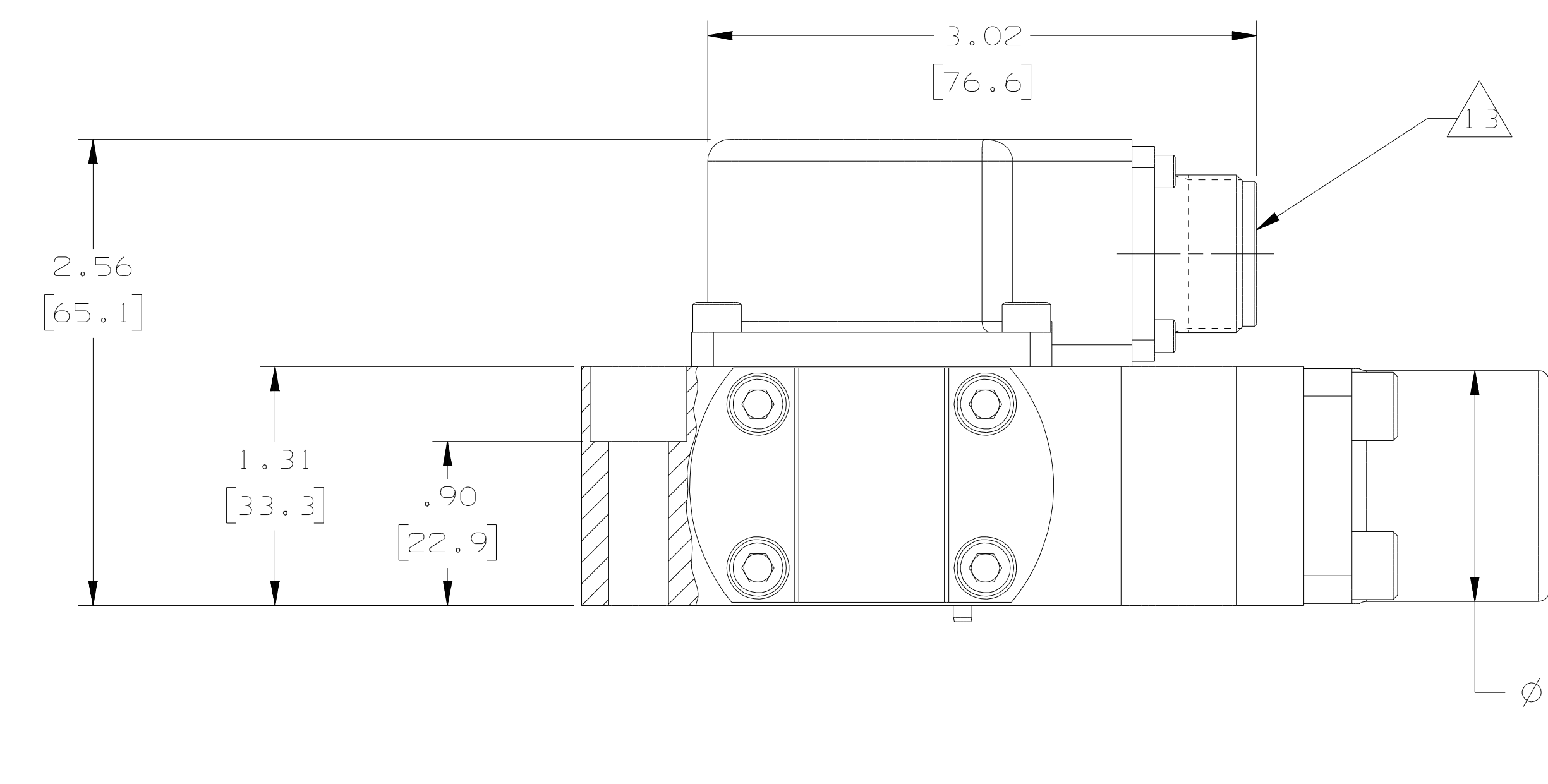
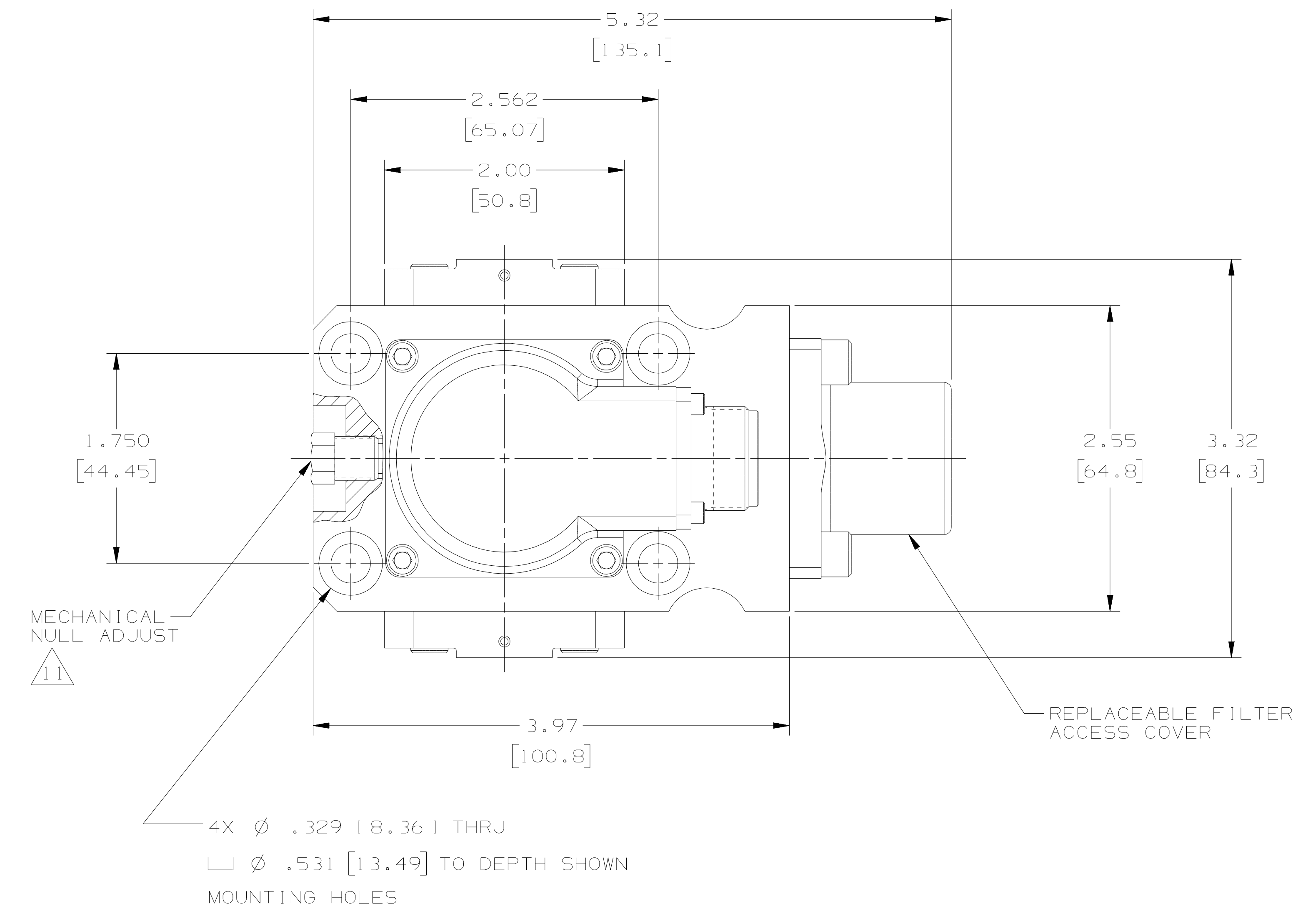


REVISIONS				
ZONE	REV	DESCRIPTION	DATE	APPROVED
B	SEE	EO UE1062567: REDRAWN IN NX WITH CHANGE	20161114	MJN/RJM

THIS TECHNICAL DATA/DRAWING/DOCUMENT CONTAINS MOOG PROPRIETARY AND CONFIDENTIAL INFORMATION. SUBSIDIARIES EXCEPT AS EXPRESSLY GRANTED BY CONTRACT OR BY OPERATION OF LAW AND IS RESTRICTED TO USE BY ONLY MOOG EMPLOYEES AND OTHER PERSONS AUTHORIZED IN WRITING BY MOOG OR AS EXPRESSLY GRANTED BY CONTRACT OR BY OPERATION OF LAW. NO PORTION OF THIS DATA/DRAWING/DOCUMENT SHALL BE REPRODUCED OR DISCLOSED OR COPIED OR PUBLISHED IN WHOLE OR IN PART TO OTHERS OR USED BY OTHERS FOR ANY PURPOSE WHATSOEVER EXCEPT AS SPECIFICALLY AUTHORIZED IN WRITING BY MOOG INC. OR MOOG INC. SUBSIDIARY.

- NOTES:
- FLUID: MIL-H-5606 OR INDUSTRIAL TYPE PETROLEUM BASE HYDRAULIC FLUID.
VISCOSITY: 60-450 SUS AT 100°F [10-97 cSt AT 38°C].
CLEANLINESS: ISO4406 16/13 MAX.
 - OPERATING TEMPERATURE RANGE: -40°F TO 275°F [-40°C TO 135°C].
 - PORTS P, R, 1, 2: $\perp \varnothing .563$ [14.30] $\nabla .052$ [1.33].
 - PORTS P, R, 1, 2 O-RINGS: .426 [10.82] I.D. X .070 [1.78] CROSS SECTION (UNIVERSAL SIZE -013).
 - PILOT PRESSURE PORT: $\perp .501$ [12.73] $\nabla .052$ [1.33].
 - PILOT PRESSURE PORT O-RING: .364 [9.25] I.D. X .070 [1.78] CROSS SECTION (UNIVERSAL SIZE -012).
 - SURFACE TO WHICH VALVE IS MOUNTED REQUIRES $\sqrt{63} \sqrt{1.6}$, $\square .001$ [0.25].
 - VALVE PHASING: FLOWOUT PORT 2 WILL RESULT WHEN:
SERIES: A+, D-, B & C TIED
PARALLEL: A & C TIED +, B & D TIED -
 - VALVES ARE SUPPLIED WITH PROVISIONS FOR EITHER INTERNAL OR EXTERNAL PORTING OF FIRST STAGE PILOT PRESSURE.
 - COMPRESSED OIL VOLUME FOR ONE PISTON PORT = .117 IN³.
 - FLOW OUT PORT 2: INCREASE WITH CLOCKWISE ROTATION.
 - SUGGESTED MOUNTING SCREWS:
.312-18 X 1.625 LONG (M8 X 40 LONG) SOCKET HEAD CAP SCREWS
 - ELECTRICAL CONNECTOR MATES WITH M53106-145-25 OR EQUIVALENT.
 - DIMENSIONS IN BRACKETS () ARE IN MILLIMETERS.
 - DIMENSIONS WITHOUT TOLERANCE ARE FOR REFERENCE ONLY.
 - MAXIMUM OPERATING PRESSURE: 8000 PSI.
 - IF EQUIPPED, 6TH PORT IS $\perp \varnothing .626$ [15.90] $\nabla .052$ [1.33].
O-RING: .489 [12.42] I.D. X .070 [1.78] CROSS SECTION (UNIVERSAL SIZE -014).



INTERNATIONAL PART

LAST SECTION/DATUM	THIRD ANGLE PROJECTION	UNLESS OTHERWISE SPECIFIED: XX.XX ± .01 .XXX ± .005 ANGULAR ± 0° 30' FILLETS ± .015 EDGES ± .010 RAD OR CHAM SURFACE ROUGHNESS PER ANSI Y14.20 & Y14.21 125 CONCENTRIC DIAMETERS: $\nabla 1.00$ DRILL POINTS: 115° TAP ALL DIMENSIONS ARE IN INCHES PART TO BE FREE OF BURRS	INTERPRET DRAWING PER MIL-STD-100 DIMENSIONS AND TOLERANCING PER ASME Y14.5M-1994	CONTRACT NO.	MOOG INC.							
PREPARED P. KASPRZYK 5/29/91	CHECKED MDW/GRB 6/25/91	MGR ENGR	DES ENGR TRF 7/16/91	PRD ENGR	APL ENGR BRR 6/26/91	MFG MB 7/12/91	QUAL GRB 6/27/91	SCALE 3/2	SIZE	CAGE CODE	DWG NO.	MOOG INC. EAST AURORA, NY 14052
NEXT ASSEMBLY	USED ON	94697	B64848	1 OF 1	INSTALLATION, SERVO VALVE, X730 SERIES							