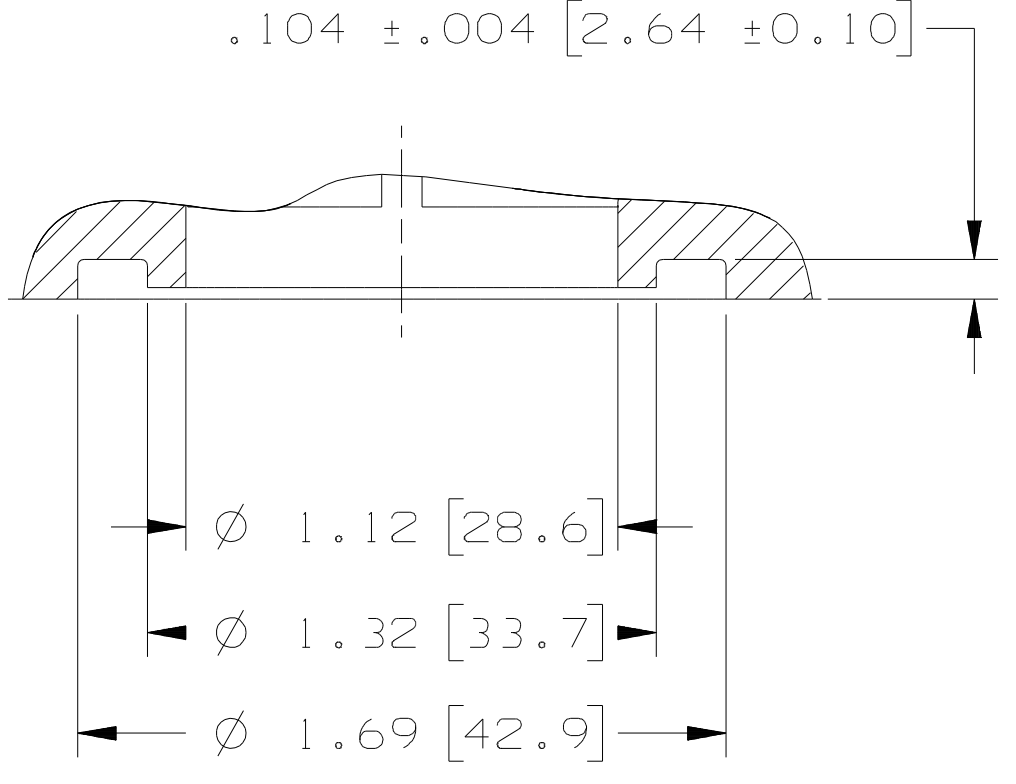
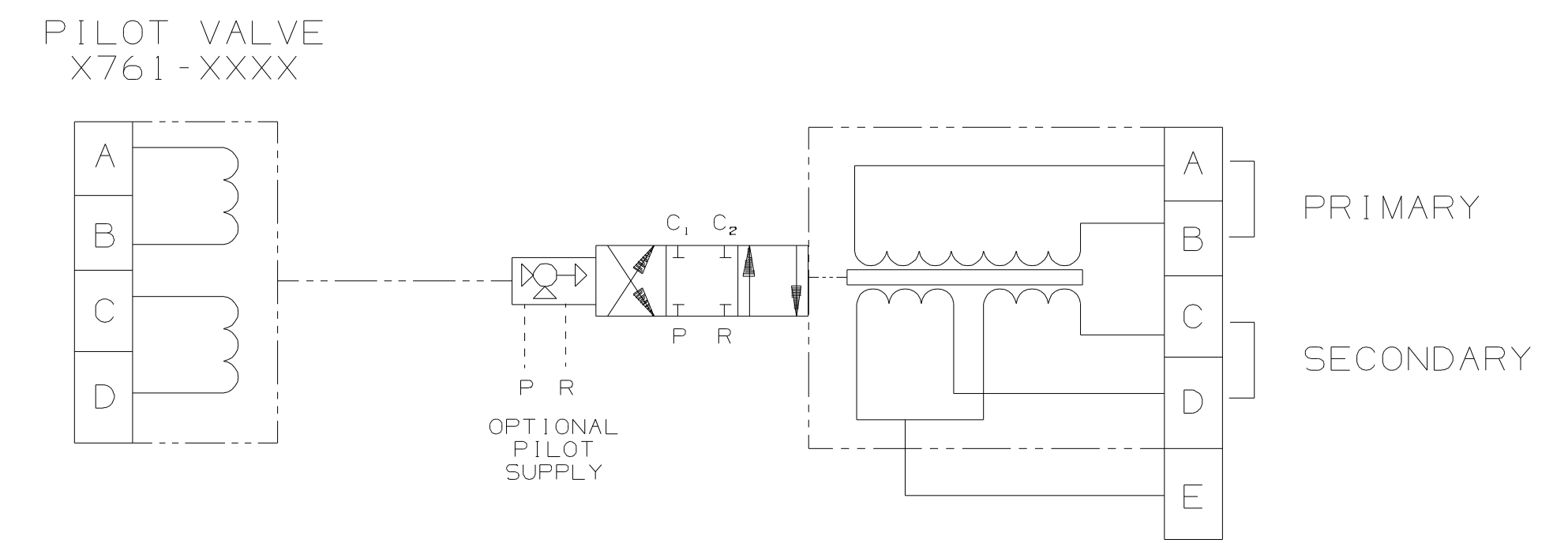
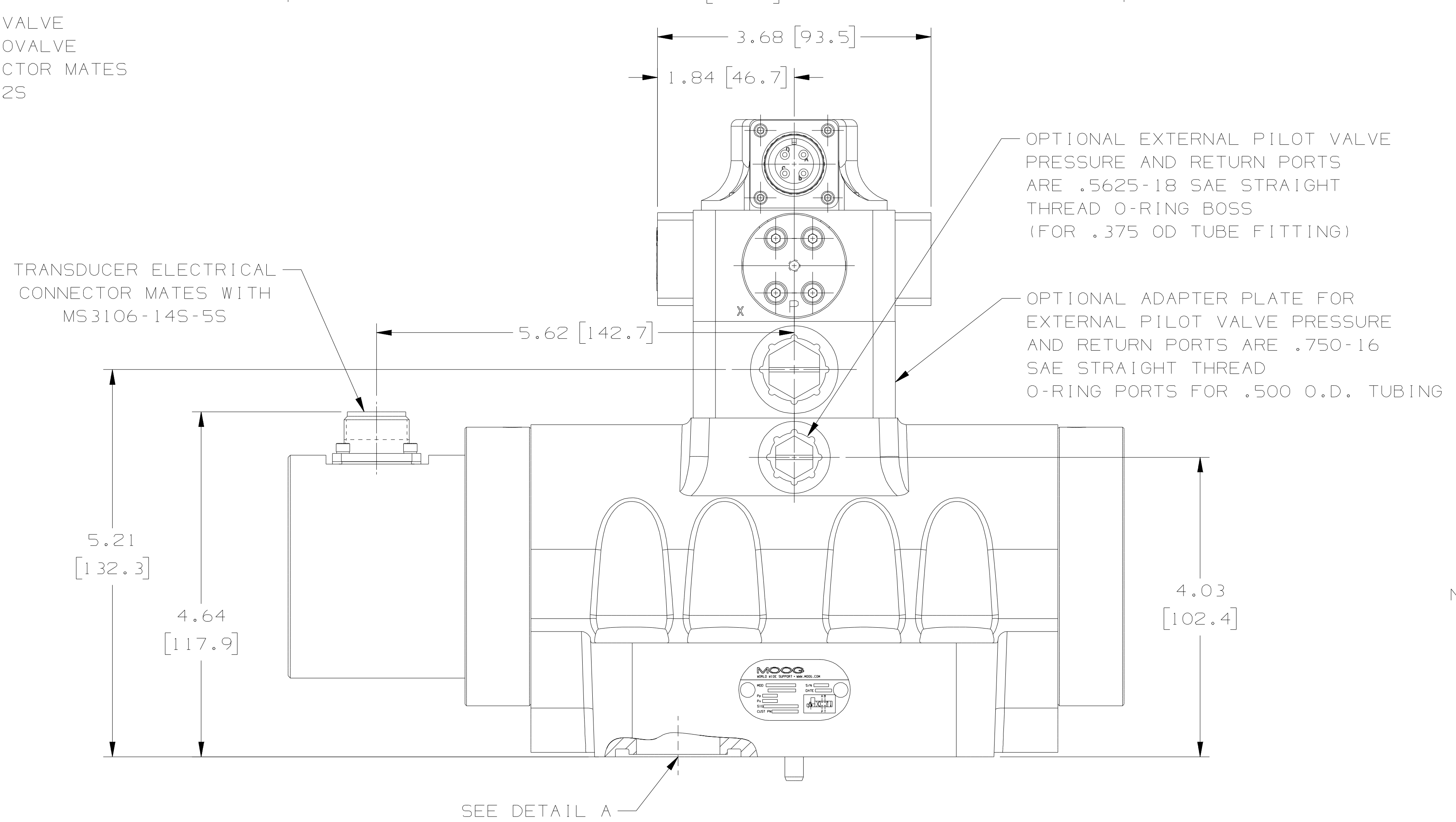
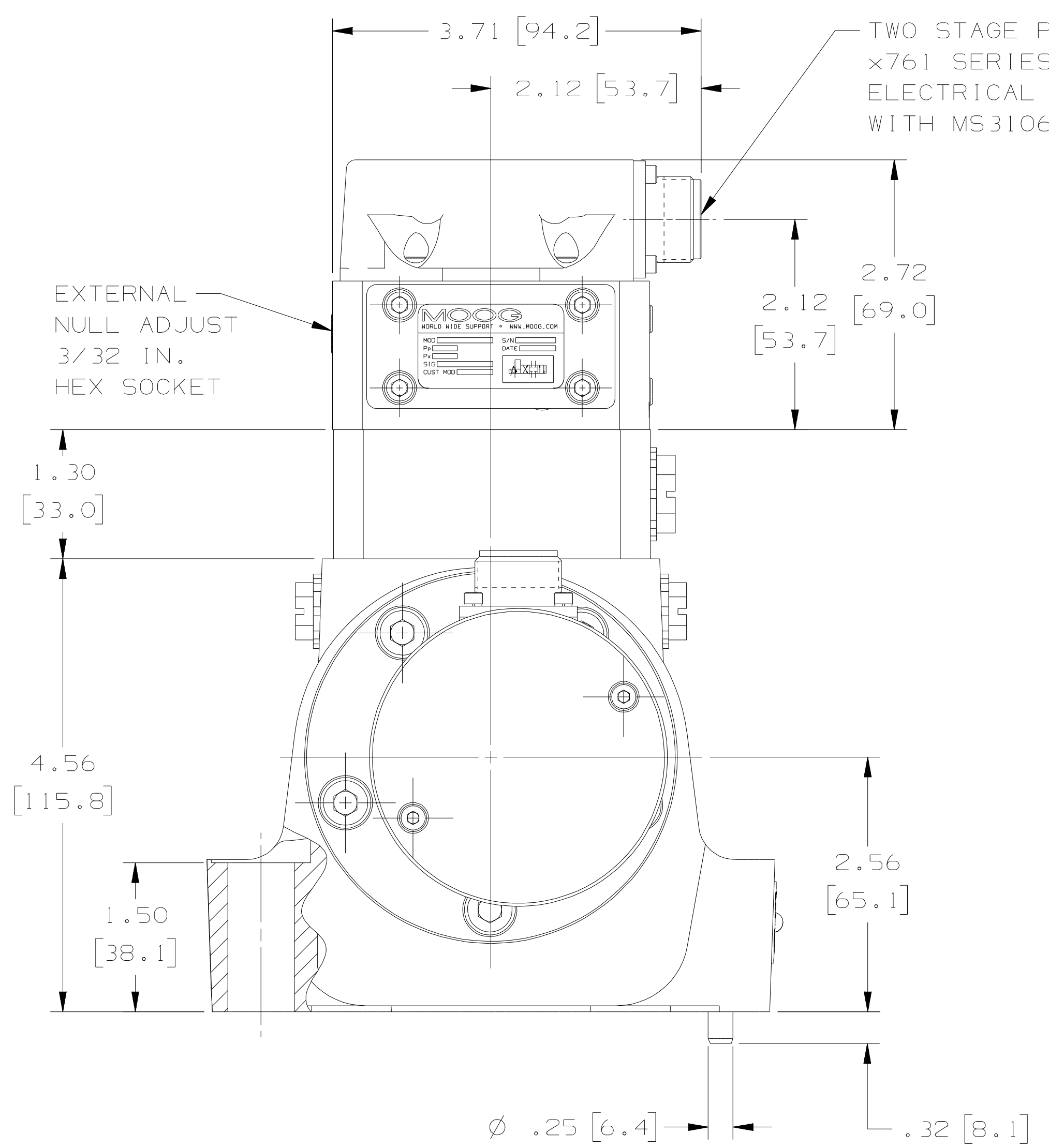
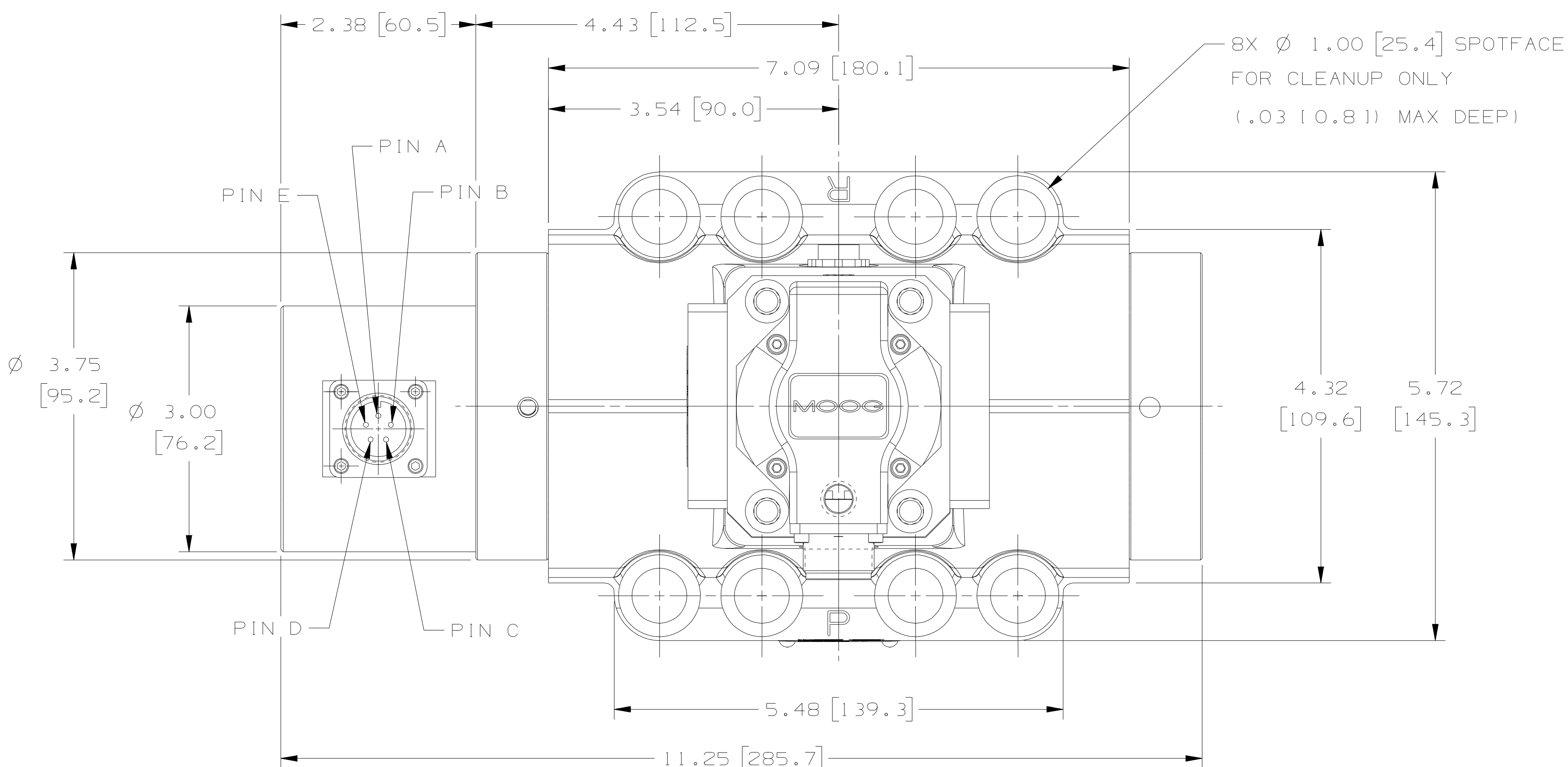


THIS TECHNICAL DATA/DRAWING/DOCUMENT CONTAINS PROPRIETARY AND CONFIDENTIAL INFORMATION OF MOOG INC. OR MOOG INC. SUBSIDIARIES EXCEPT AS EXPRESSLY GRANTED BY CONTRACT OR BY OPERATION OF LAW AND IS RESTRICTED TO USE BY ONLY MOOG EMPLOYEES AND OTHER PERSONS AUTHORIZED IN WRITING BY MOOG OR AS EXPRESSLY GRANTED BY CONTRACT OR BY OPERATION OF LAW. NO PORTION OF THIS DATA/DRAWING/DOCUMENT SHALL BE REPRODUCED OR DISCLOSED OR COPIED OR PUBLISHED IN WHOLE OR IN PART TO OTHERS OR USED BY OTHERS FOR ANY PURPOSE WHATSOEVER EXCEPT AS SPECIFICALLY AUTHORIZED IN WRITING BY MOOG INC. OR MOOG INC. SUBSIDIARY.

ZONE		REV	DESCRIPTION	DATE	APPROVED
NC		CRN110503	RELEASED	12/5/00	WPF/XZ
A		SEE EO UE1030657		20091217	KJY/MEL



DETAIL A



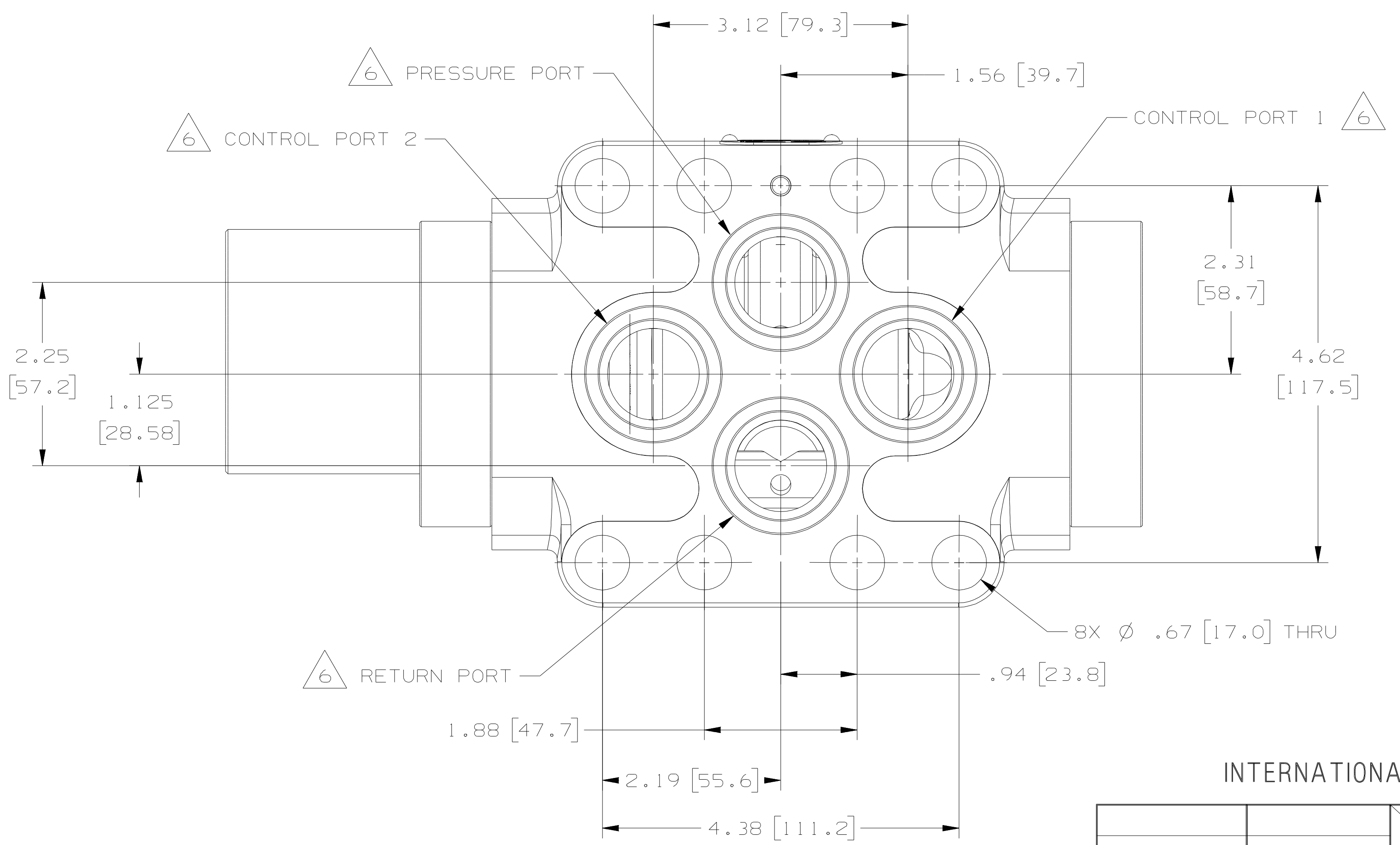
NOTES: (PILOT VALVE)

- PHASING: FLOW OUT B WILL RESULT WHEN: A. SINGLE COILS (A PLUS, B MINUS)
- PILOT VALVE: A. COIL RESISTANCE: 80 Ω (PER COIL) B. RATED CURRENT: SEE NAMEPLATE C. RATED FLOW: AT 1000 PSI (70 BAR) DESCRIBED BY TYPECODE ON NAMEPLATE

NOTES: (TRANSDUCER)

- PHASING: WITH FLOW OUT C<sub>2</sub> "A" & "C" COMMON, "B" & "D" IN PHASE
- EXCITATION: 15 VAC RMS MAX AT 2 KHZ TO 7 KHZ
- SENSITIVITY: 1.1 VOLTS/VOLT INCH AT 2.5 KHZ & 100 K Ω

- NOTES:
- OPERATING PRESSURE: SEE PILOT VALVE NAMEPLATE
  - PROOF PRESSURE: PRESSURE PORT (WITH RETURN OPEN): 4500 PSI ALL PORTS: 4500 PSI
  - FLUID: INDUSTRIAL TYPE PETROLEUM BASE HYDRAULIC FLUID, < 25 MICRON ABSOLUTE FILTRATION REQUIRED ON PILOT STAGE SUPPLY.
  - OPERATING TEMPERATURE: -10°C (+14°F) TO +80°C (+176°F).
  - PORT O-RINGS: POWER STAGE (BASE): MOOG PART NO. -42082-264 (MS28775-221) PILOT STAGE (BASE): MOOG PART NO. -42082-022 (MS28775-013) PILOT STAGE (X PORT): MOOG PART NO. -42082-013 (MS28775-012)
  - BASE PORTS ARE PER DETAIL "A"
  - DIMENSIONS IN BRACKETS ARE IN MILLIMETERS.
  - FLOW RATING: 208 GPM AT 1000 PSI, ± .095 INCH SPOOL TRAVEL.
  - SPOOL TRAVEL: ±.13 INCHES TO MECHANICAL STOPS.
  - SURFACE TO WHICH VALVE IS MOUNTED REQUIRES  $\sqrt{63}$  FINISH & FLATNESS WITHIN .002 T.I.R.



INTERNATIONAL PART

QTY REGD	C54629	PART OR IDENTIFYING NO.	INSTALLATION, 3 STAGE VALVE	BALLOON NO.																																			
LAST SECTION/DATUM		PARTS LIST																																					
THIRD ANGLE PROJECTION		<table border="1"> <tr> <td>PREPARED</td> <td>BFL/NN</td> <td>20001108</td> <td colspan="2">MOOG INC., EAST AURORA, NY 14502</td> </tr> <tr> <td>CHECKED</td> <td>X.ZHOU</td> <td>11/25/00</td> <td colspan="2">TITLE</td> </tr> <tr> <td>DES ENGR</td> <td>X.Z.</td> <td>11/25/00</td> <td colspan="2">INSTALLATION, 3 STAGE VALVE, 208 GPM</td> </tr> <tr> <td>PRO ENGR</td> <td></td> <td></td> <td>SIZE</td> <td>CAGE CODE</td> </tr> <tr> <td>APL ENGR</td> <td></td> <td></td> <td>E 94697</td> <td>DWG NO. C54629</td> </tr> <tr> <td>MFG</td> <td></td> <td></td> <td>SCALE</td> <td>1/1</td> </tr> <tr> <td>QUAL</td> <td></td> <td></td> <td>WT</td> <td>SHEET 1 OF 1</td> </tr> </table>			PREPARED	BFL/NN	20001108	MOOG INC., EAST AURORA, NY 14502		CHECKED	X.ZHOU	11/25/00	TITLE		DES ENGR	X.Z.	11/25/00	INSTALLATION, 3 STAGE VALVE, 208 GPM		PRO ENGR			SIZE	CAGE CODE	APL ENGR			E 94697	DWG NO. C54629	MFG			SCALE	1/1	QUAL			WT	SHEET 1 OF 1
PREPARED	BFL/NN	20001108	MOOG INC., EAST AURORA, NY 14502																																				
CHECKED	X.ZHOU	11/25/00	TITLE																																				
DES ENGR	X.Z.	11/25/00	INSTALLATION, 3 STAGE VALVE, 208 GPM																																				
PRO ENGR			SIZE	CAGE CODE																																			
APL ENGR			E 94697	DWG NO. C54629																																			
MFG			SCALE	1/1																																			
QUAL			WT	SHEET 1 OF 1																																			
UNLESS OTHERWISE SPECIFIED: ANGULAR: .XXX ± .XXX ±; FILLETS: RAD; EDGES: RAD OR CHAM; SURFACE FINISH: PER ANSI Y14.30 & Y14.37; CONCENTRIC DIAMETERS: $\sqrt{1.00}$ ; DRILL POINTS: 115° TAP; ALL DIMENSIONS ARE IN INCHES PART TO BE FREE OF BLURS		<p>INTERPRET DRAWING PER MIL-STD-1300 DIMENSIONING AND TOLERANCING PER ASME Y14.5M-1994</p>																																					

Part No. C54629