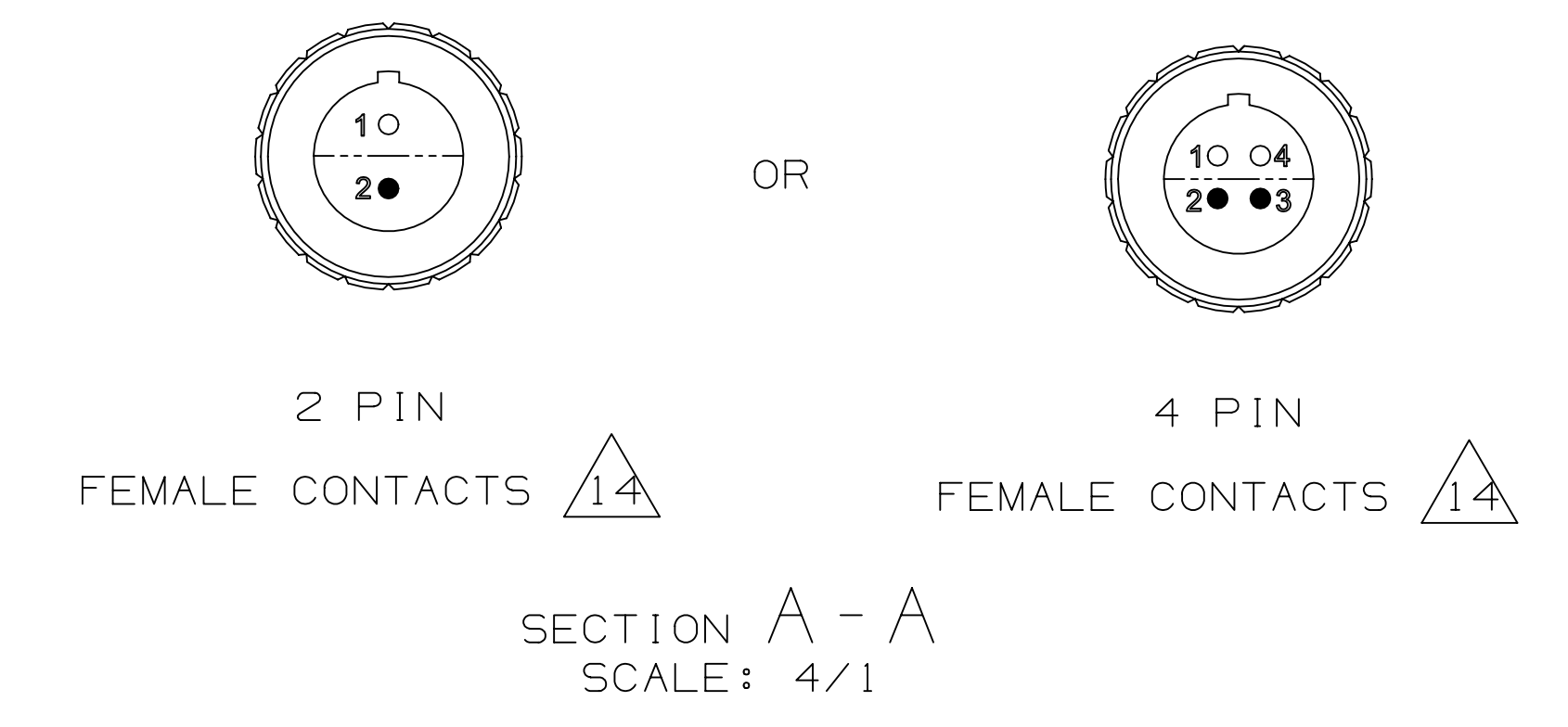
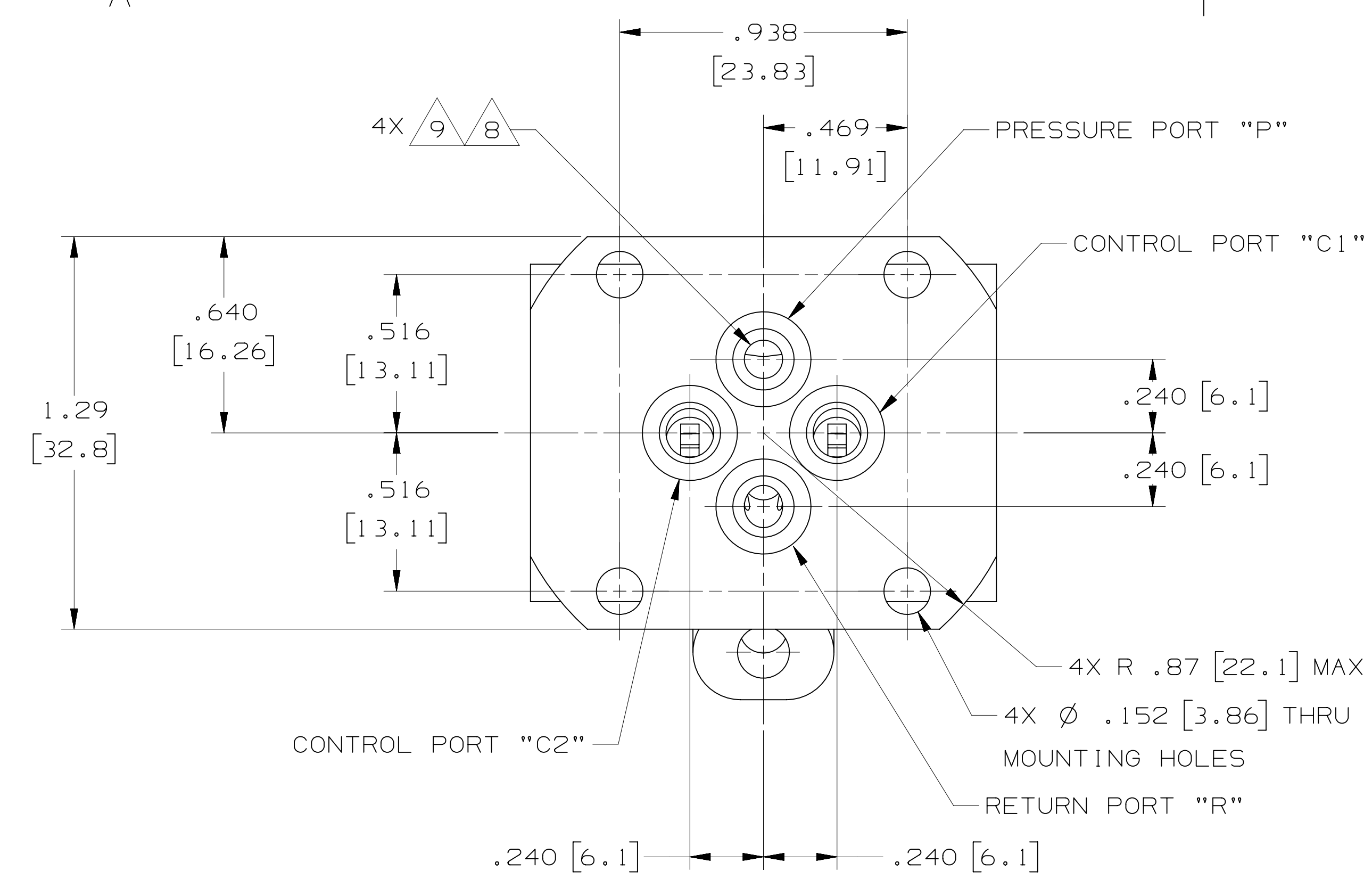
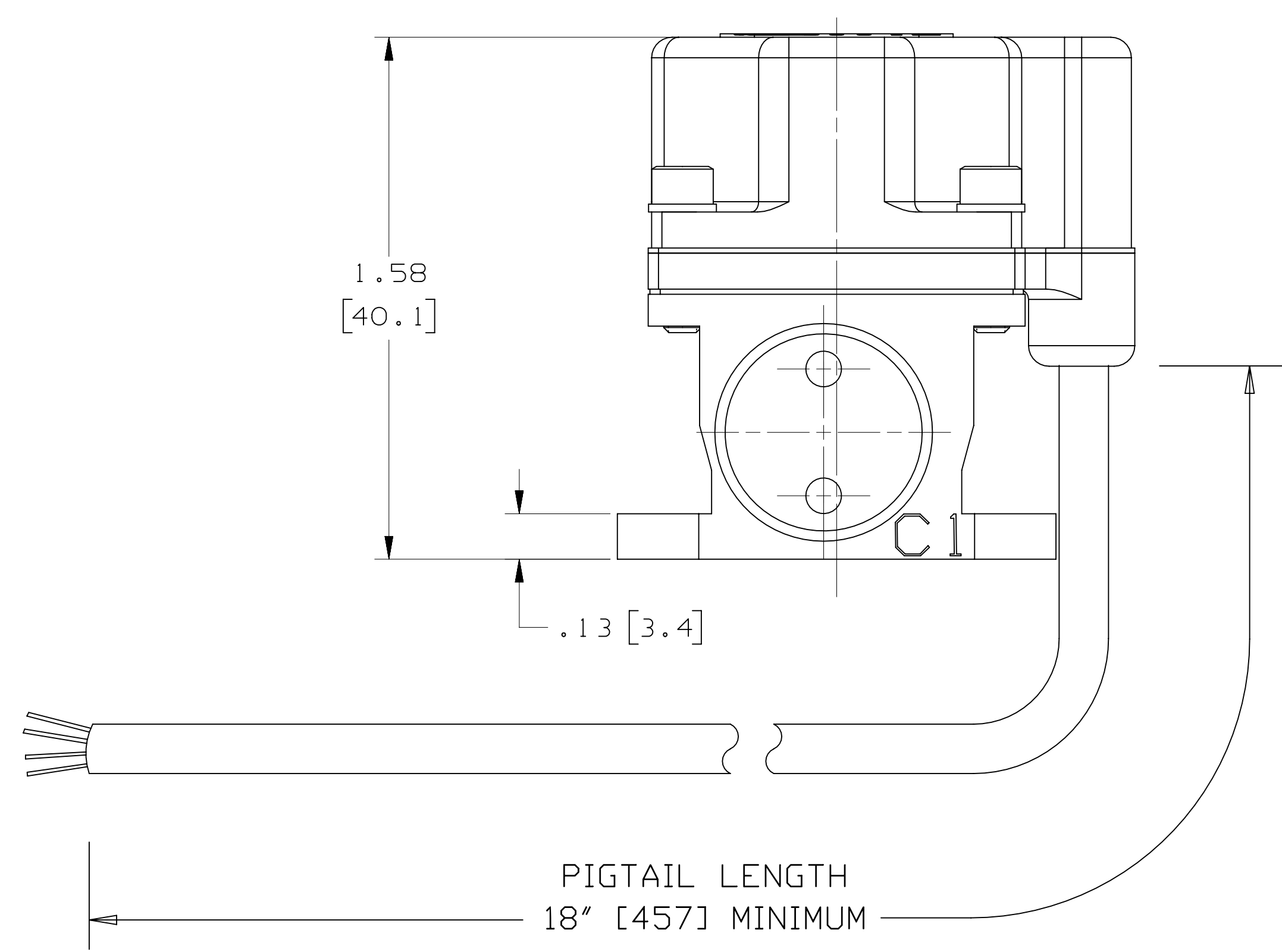
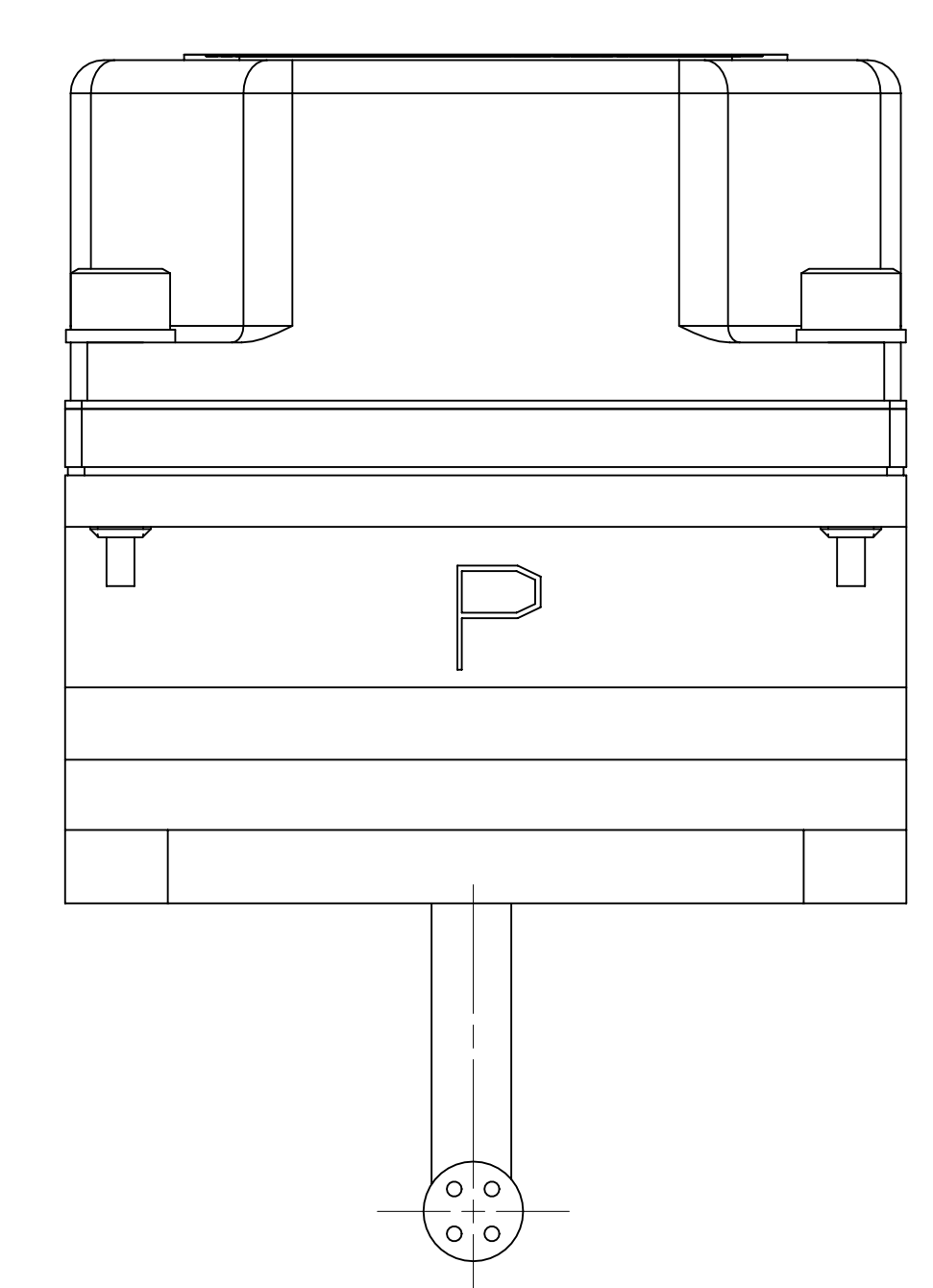
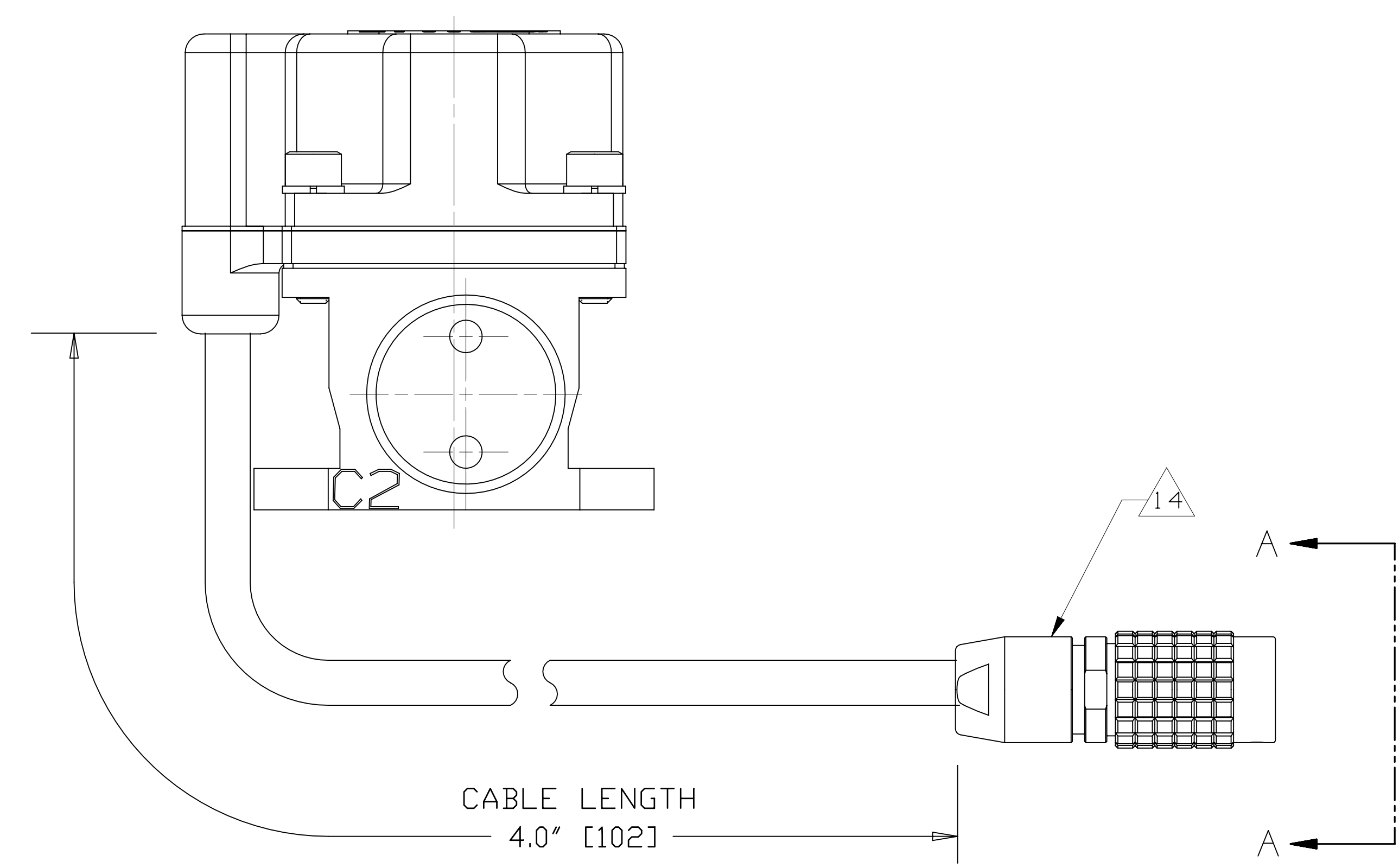
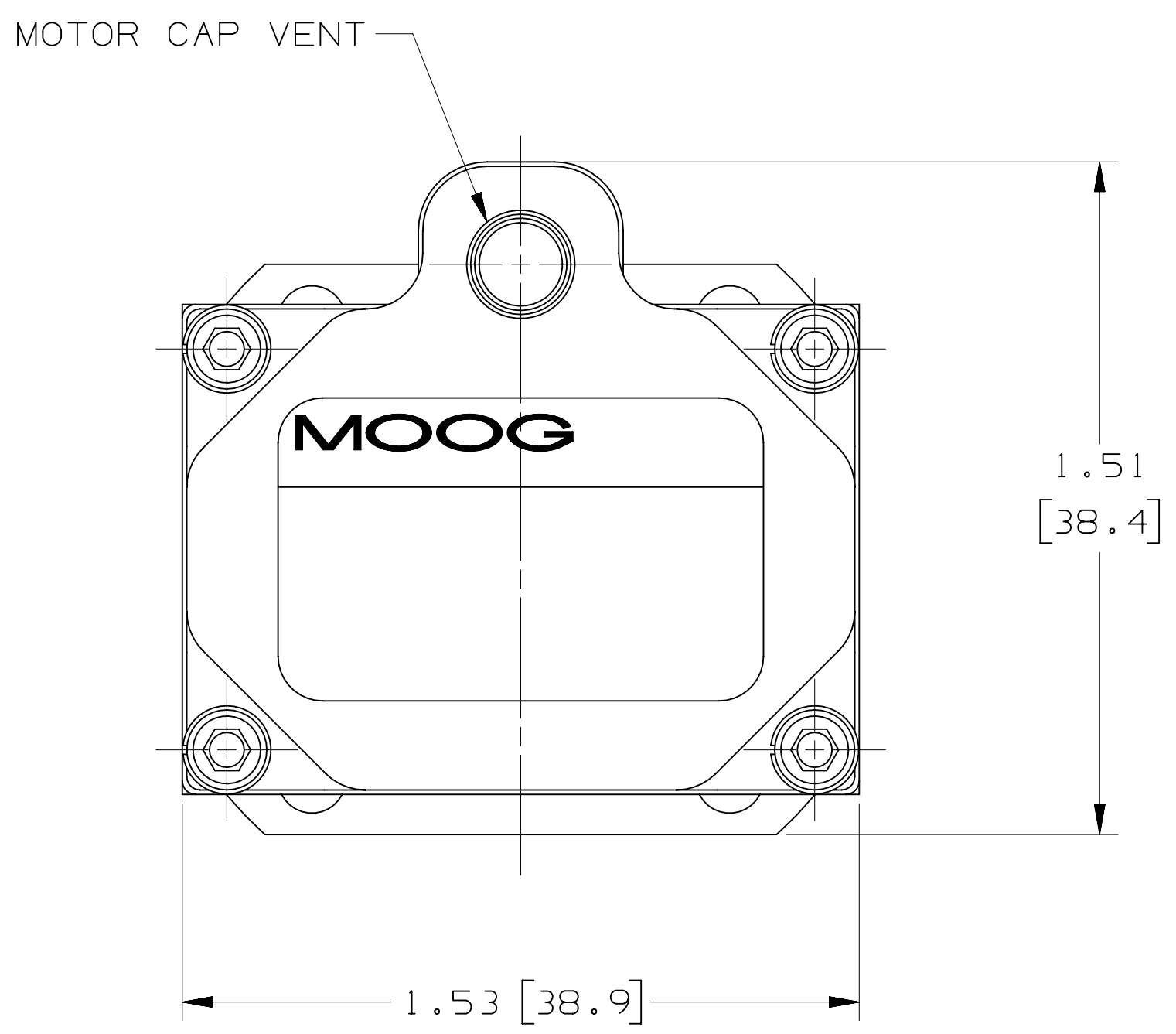


THIS TECHNICAL DATA/DRAWING/DOCUMENT CONTAINS MOOG PROPRIETARY AND CONFIDENTIAL INFORMATION. MOOG PROPRIETARY AND CONFIDENTIAL INFORMATION IS THE EXPRESS PROPERTY OF MOOG INC. OR MOOG INC. SUBSIDIARIES EXCEPT AS EXPRESSLY GRANTED BY CONTRACT OR BY OPERATION OF LAW AND IS RESTRICTED TO USE BY ONLY MOOG EMPLOYEES AND OTHER PERSONS AUTHORIZED IN WRITING BY MOOG INC. OR EXPRESSLY GRANTED BY CONTRACT OR BY OPERATION OF LAW. NO PORTION OF THIS DATA/DRAWING/DOCUMENT SHALL BE REPRODUCED OR DISCLOSED OR COPIED OR PUBLISHED IN WHOLE OR IN PART TO OTHERS OR USED BY OTHERS FOR ANY PURPOSE WHATSOEVER EXCEPT AS SPECIFICALLY AUTHORIZED IN WRITING BY MOOG INC. OR MOOG INC. SUBSIDIARY.

THIS DOCUMENT CONTAINS TECHNOLOGY SUBJECT TO THE U.S. EXPORT ADMINISTRATION REGULATIONS (EAR) AND MAY NOT BE EXPORTED OR TRANSFERRED TO ANY UNLICENSED PERSON, ENTITY, OR COMPANY, BY ANY MEANS, OR FOR EXPORTS REGULATING A LICENSE, WITHOUT PRIOR WRITTEN APPROVAL FROM THE U.S. DEPARTMENT OF COMMERCE, BUREAU OF INDUSTRY AND SECURITY (BIS). DIVERSION CONTRARY TO U.S. LAW IS PROHIBITED.

ZONE		REV	DESCRIPTION	DATE	APPROVED
		-	EO UE1061429: RELEASE	20160609	KF/RJM
		A	SEE EO UE1061792	20160726	KF/RJM
		B	SEE EO UE1063222	20170308	KF/RJM
		C	SEE EO UE1066588	20181102	MJN/RJM

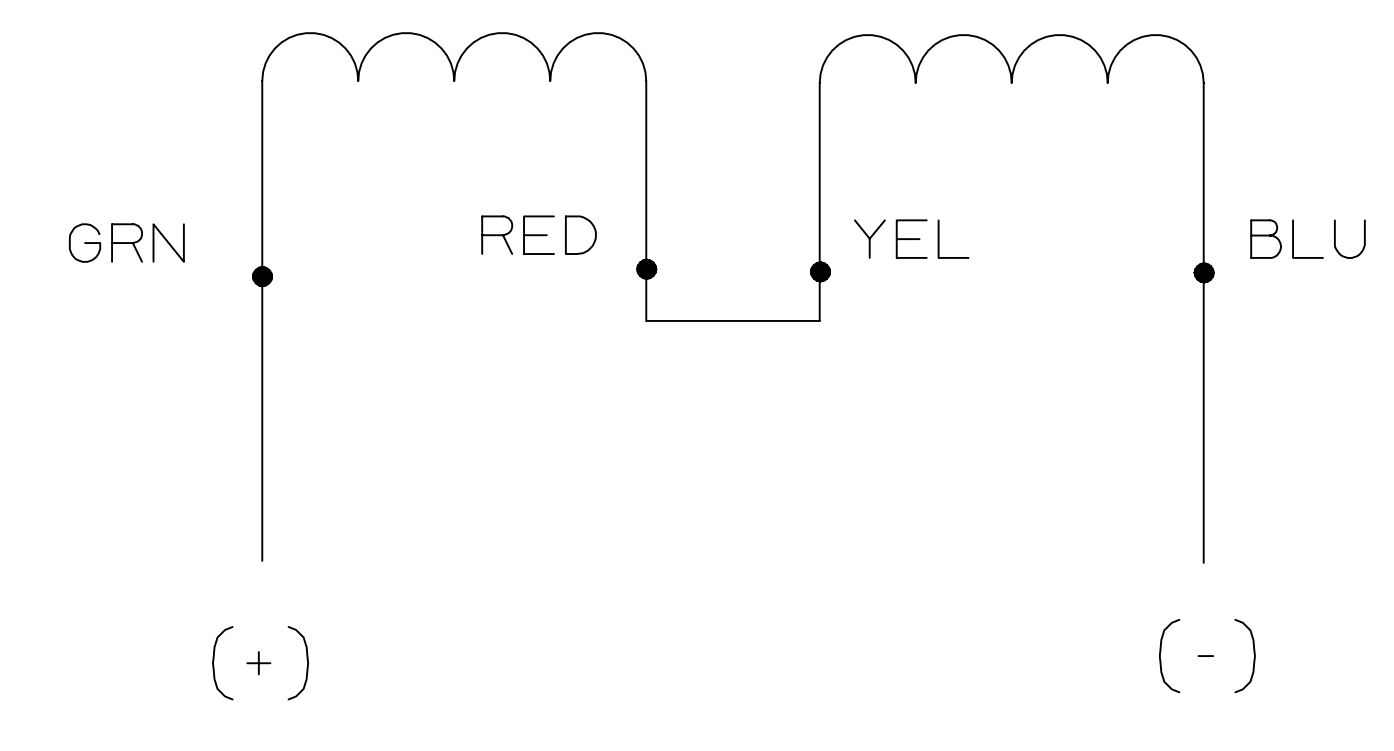
- NOTES:
1. FLUID: PETROLEUM BASE, OR SELECTED PHOSPHATE ESTER FLUID, 60 TO 450 SSU AT 100°F (10 TO 97 CENTISTOKES AT 38°C).
 2. FLUID CLEANLINESS LEVEL PER NAS 1638 CLASS 6.
 3. OPERATING TEMPERATURE RANGE: -20°F TO +275°F (-28°C TO +135°C).
 4. MAXIMUM OPERATING PRESSURE: 4000 PSI (275 BAR).
 5. POLARITY OPERATION: FLOW OUT CONTROL PORT "C2" WHEN:
 - SERIES: RED & YELLOW TIED, GREEN +, BLUE -
 - PARALLEL: GREEN & YELLOW TIED +, RED & BLUE TIED -
 - SINGLE: GREEN +, RED - OR YELLOW +, BLUE -
 6. CABLE EXIT CAN BE OVER PRESSURE PORT "P" OR RETURN PORT "R".
 7. DIMENSIONS WITHOUT TOLERANCE ARE FOR REFERENCE ONLY. DIMENSIONS IN BRACKETS () ARE IN MILLIMETERS.
 8. PORTS P, R, C1, C2: $\square \phi .310 [7.87] \text{ O.D. } \times \phi .200 [5.08] \text{ I.D. } \nabla .030 [0.76]$
 9. FOUR PORT O-RINGS: .229 [5.82] I.D. X .040 [1.02] CROSS SECTION
 10. SURFACE TO WHICH VALVE IS MOUNTED REQUIRES $\sqrt{32} [0.8]$, $\square .001 [0.025]$.
 11. SUGGESTED MOUNTING SCREWS: #6-32 X .375 LONG SOCKET HEAD CAP SCREWS.
 12. POLARITY OPERATION FOR 4 PIN CONNECTOR: FLOW OUT OF CONTROL PORT "C2" WHEN:
 - SERIES: 2 & 3 TIED, 1 +, 4 -
 - PARALLEL: 1 & 3 +, 2 & 4 -
 - SINGLE: 1 +, 2 - OR 3 +, 4 -
 13. POLARITY OPERATION FOR 2 PIN CONNECTOR: FLOW OUT OF CONTROL PORT "C2" WHEN PIN 1 IS CONNECTED TO (+) AND PIN 2 IS CONNECTED TO (-).
 14. OPTIONAL ELECTRICAL CONNECTOR: LEMO USA INC. DESCRIPTION: CIRCULAR PUSH/PULL CONNECTOR, FEMALE RECEPTACLE, FEMALE CONTACT, WITH CABLE COLLET
 - 2 CONTACT PART NUMBER: PH6.OB.302.CLL.D42
 - 4 CONTACT PART NUMBER: PH6.OB.304.CLL.D42



UNLESS OTHERWISE SPECIFIED: ANGULARITY FILLETS EDGES SURFACE FINISH PER ANSI Y14.75 & B46.1		INTERPRET DRAWING PER MIL-STD-100 DIMENSIONING AND TOLERANCING PER ASME Y14.5M-1994		CONTRACT NO.		MOOG INC.	
THIRD ANGLE PROJECTION		MATERIAL		PREPARED R. FLACK	20160606	MOOG INC., EAST AURORA, NY 14052	
LAST SECTION/DATUM		CHECKED R. MILIOTT		DES ENGR	20160725	TITLE	
CONCENTRIC DIAMETERS: [1.00]		APL ENGR R. MILIOTT		PRD ENGR	20160725	INSTALLATION, -030 SERIES, STANDARD	
DRILL POINTS: 115° TAP		MFG		SIZE	94697	DWG NO. CC21138	
ALL DIMENSIONS ARE IN INCHES PART TO BE FREE OF BURRS		QUAL		SCALE	3/1	SHEET 1 OF 2	

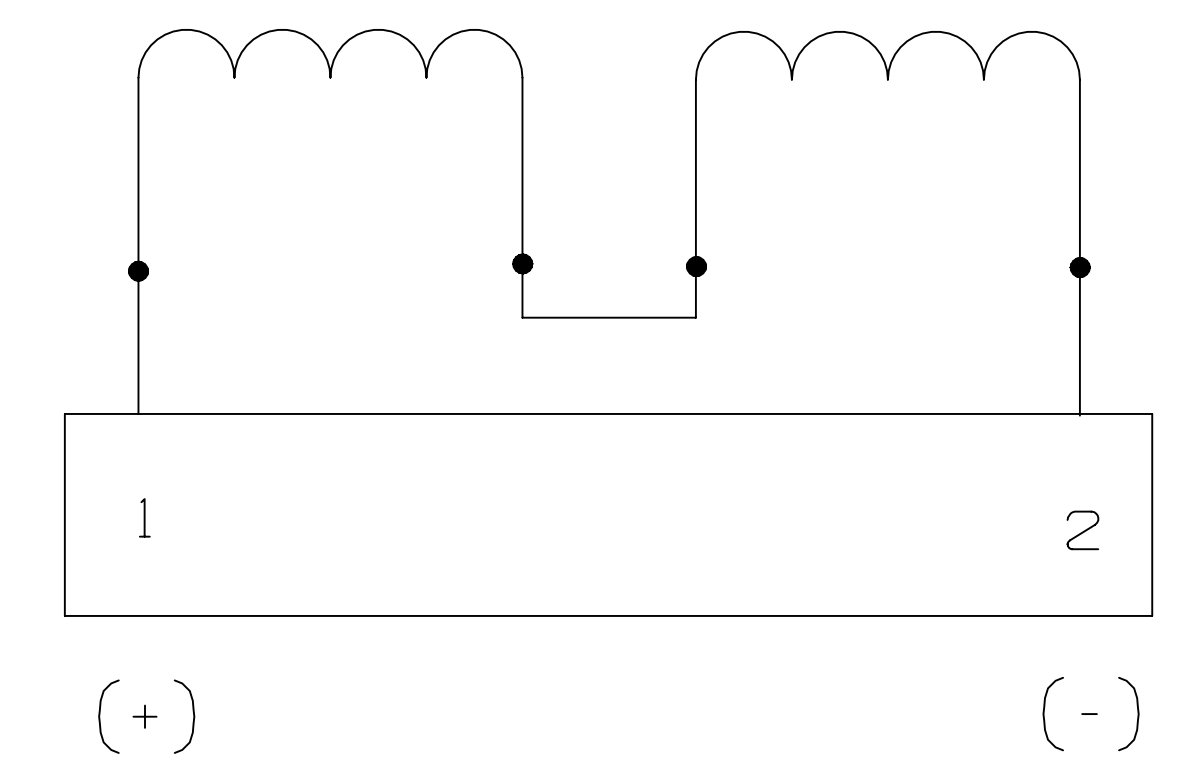
INTERNATIONAL PART

SERIES CONNECTION:



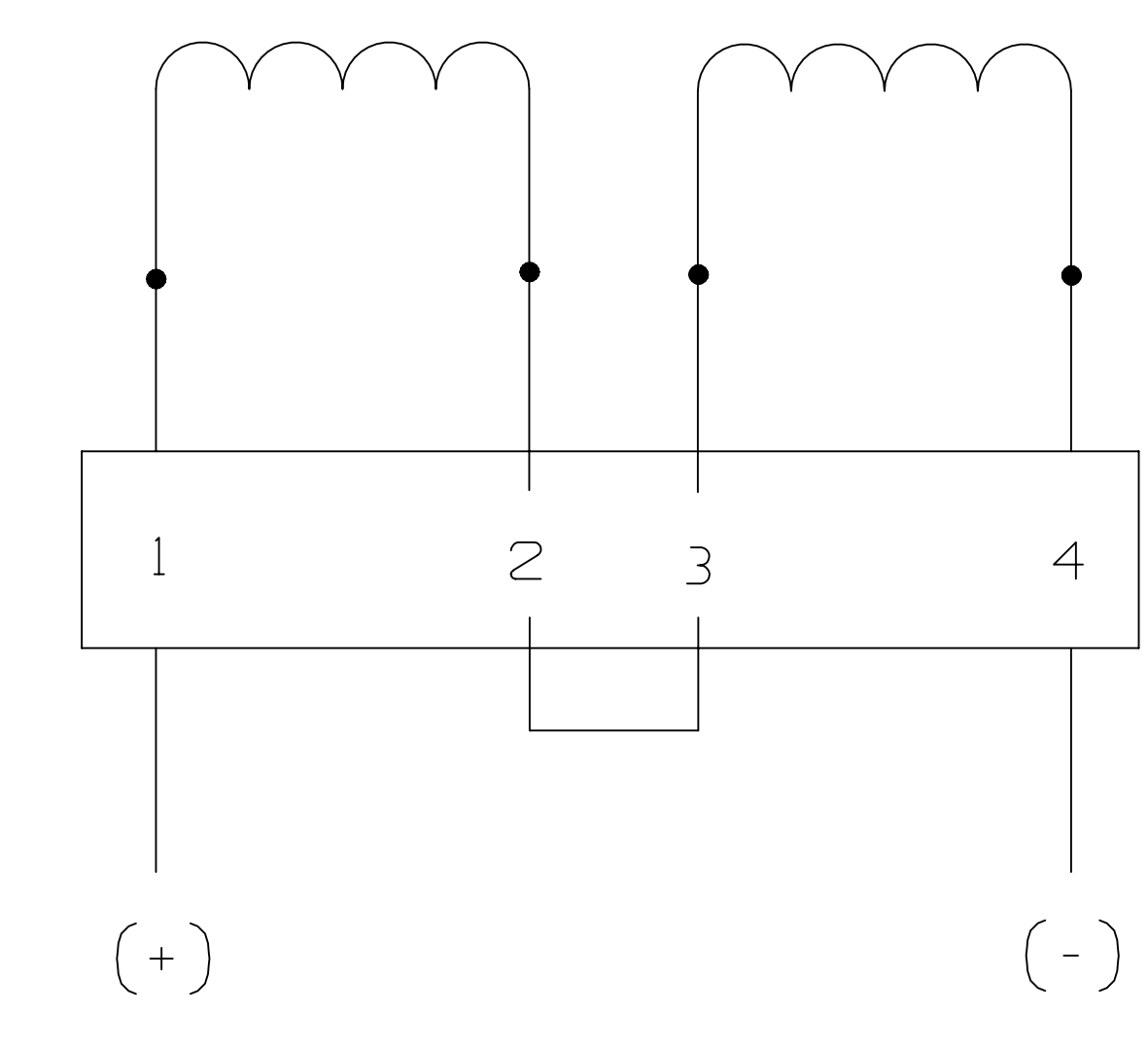
PIGTAIL 

OR



CONNECTOR  2 PIN

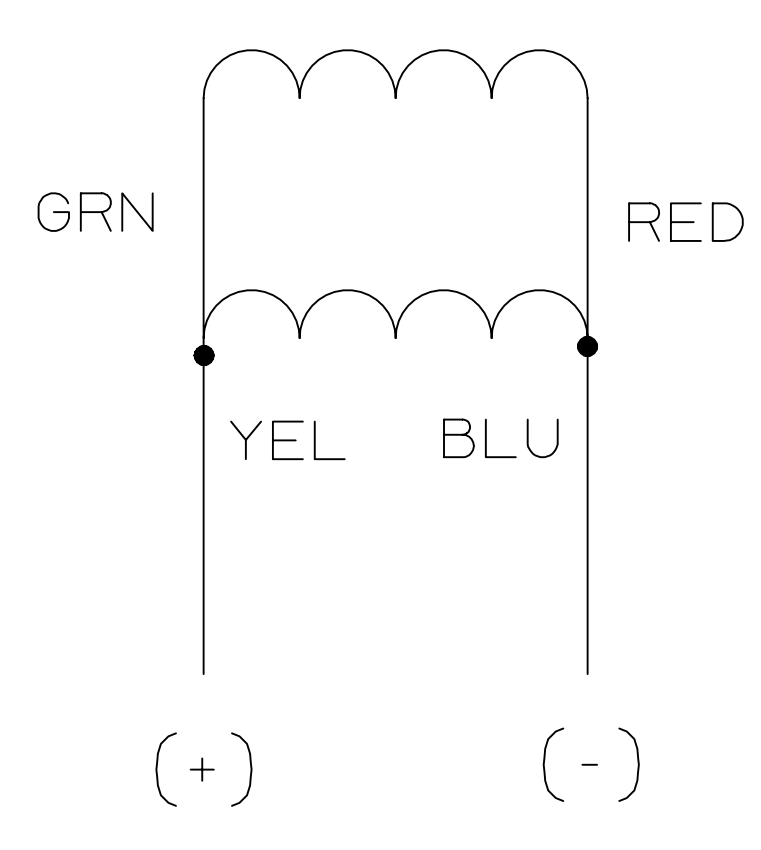
COILS ARE INTERNALLY CONNECTED IN SERIES



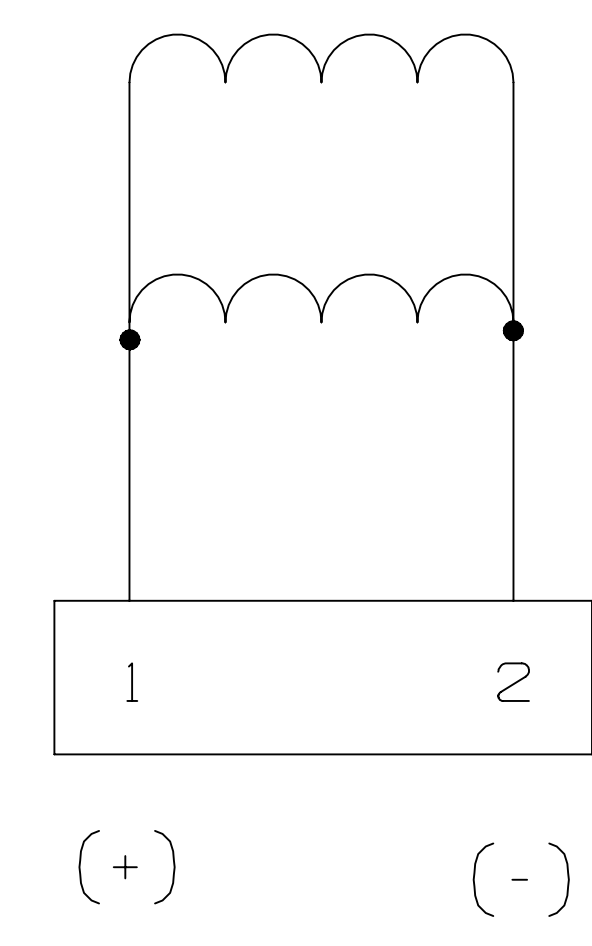
CONNECTOR  4 PIN

COILS SHOULD BE EXTERNALLY CONNECTED BY CUSTOMER IN SERIES AS SHOWN

PARALLEL CONNECTION:

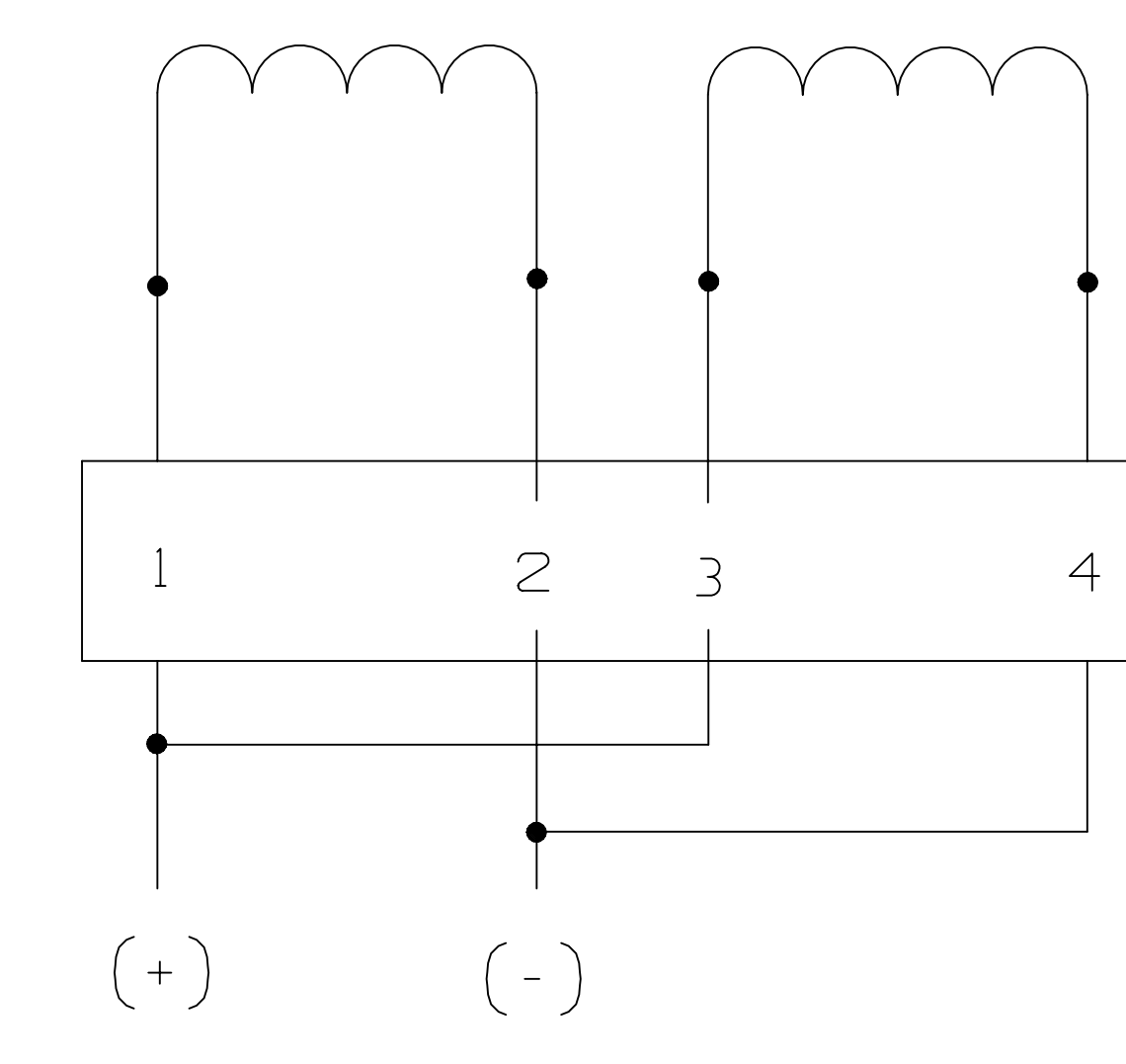


PIGTAIL 



CONNECTOR  2 PIN

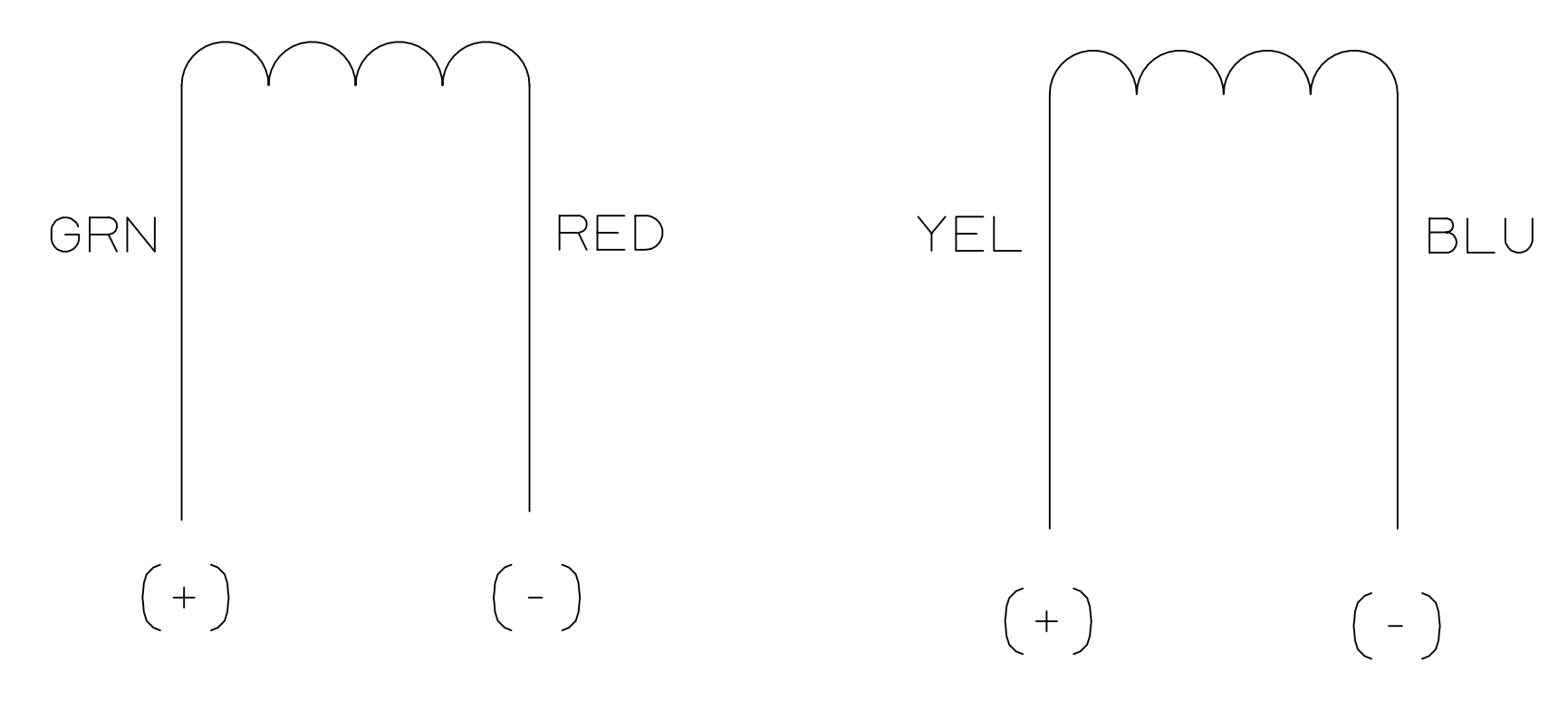
COILS ARE INTERNALLY CONNECTED IN PARALLEL



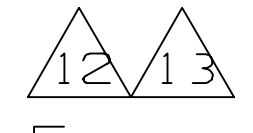
CONNECTOR  4 PIN

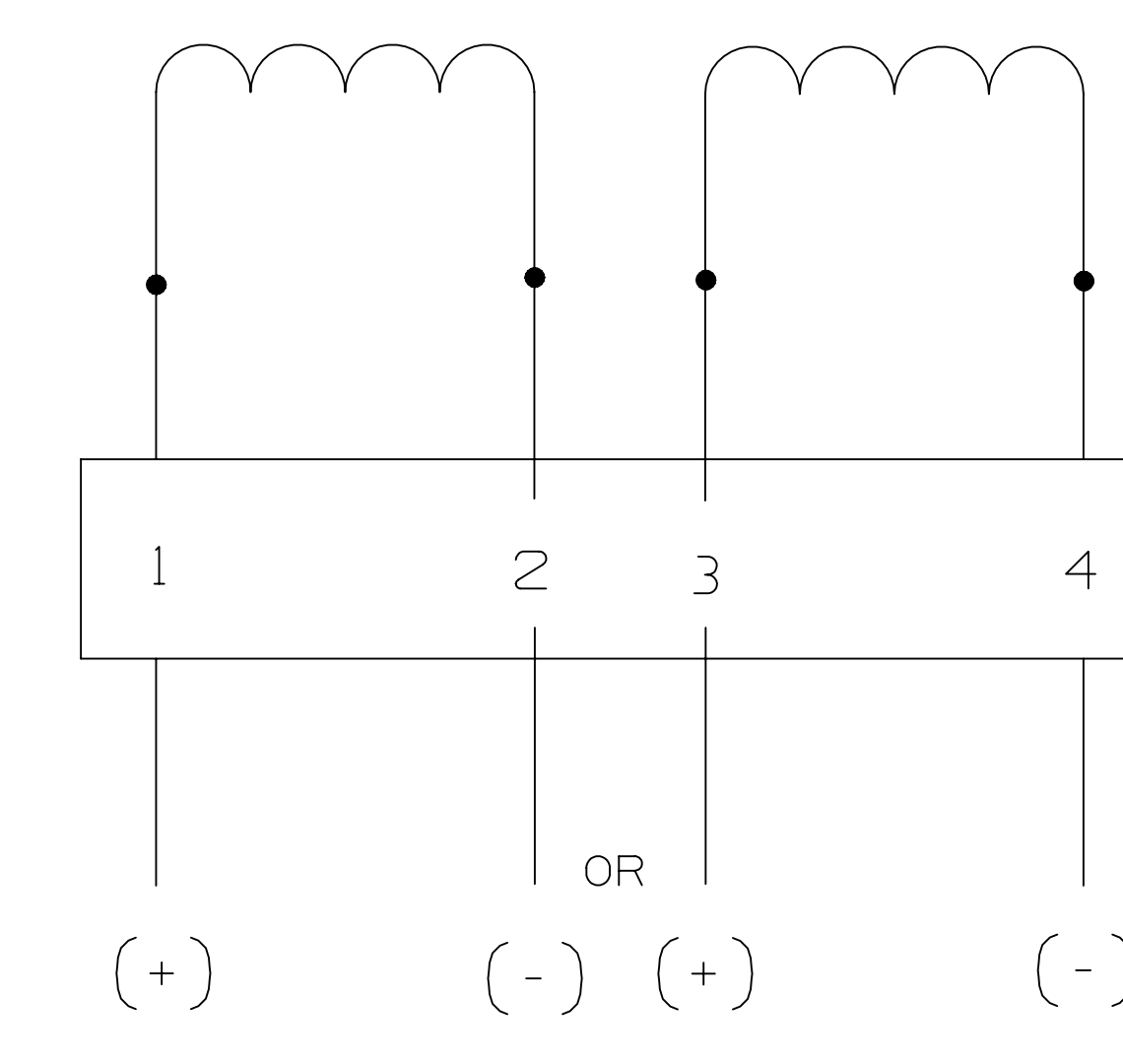
COILS SHOULD BE EXTERNALLY CONNECTED BY CUSTOMER IN PARALLEL AS SHOWN

SINGLE CONNECTOR:



PIGTAIL 

2 PIN CONNECTOR  NOT AVAILABLE FOR SINGLE CONNECTOR



CONNECTOR  4 PIN

EITHER COIL PAIR 1, 2 OR 3, 4 CAN BE CONNECTED BY CUSTOMER