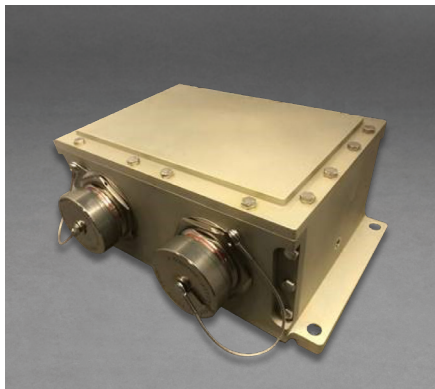




# VIKING SERIES 8+8 PORT L2+ ETHERNET SWITCH



Viking series 8+8 managed Ethernet switches consist of 8x 10/100/1000Base-T ports plus 8x 100Base-FX or 8x 1000Base-SX optical ports in rugged multiport D389999 connectors.

Viking series Ethernet switches are vibration isolated, environmentally hardened components designed for use in harsh environment applications.



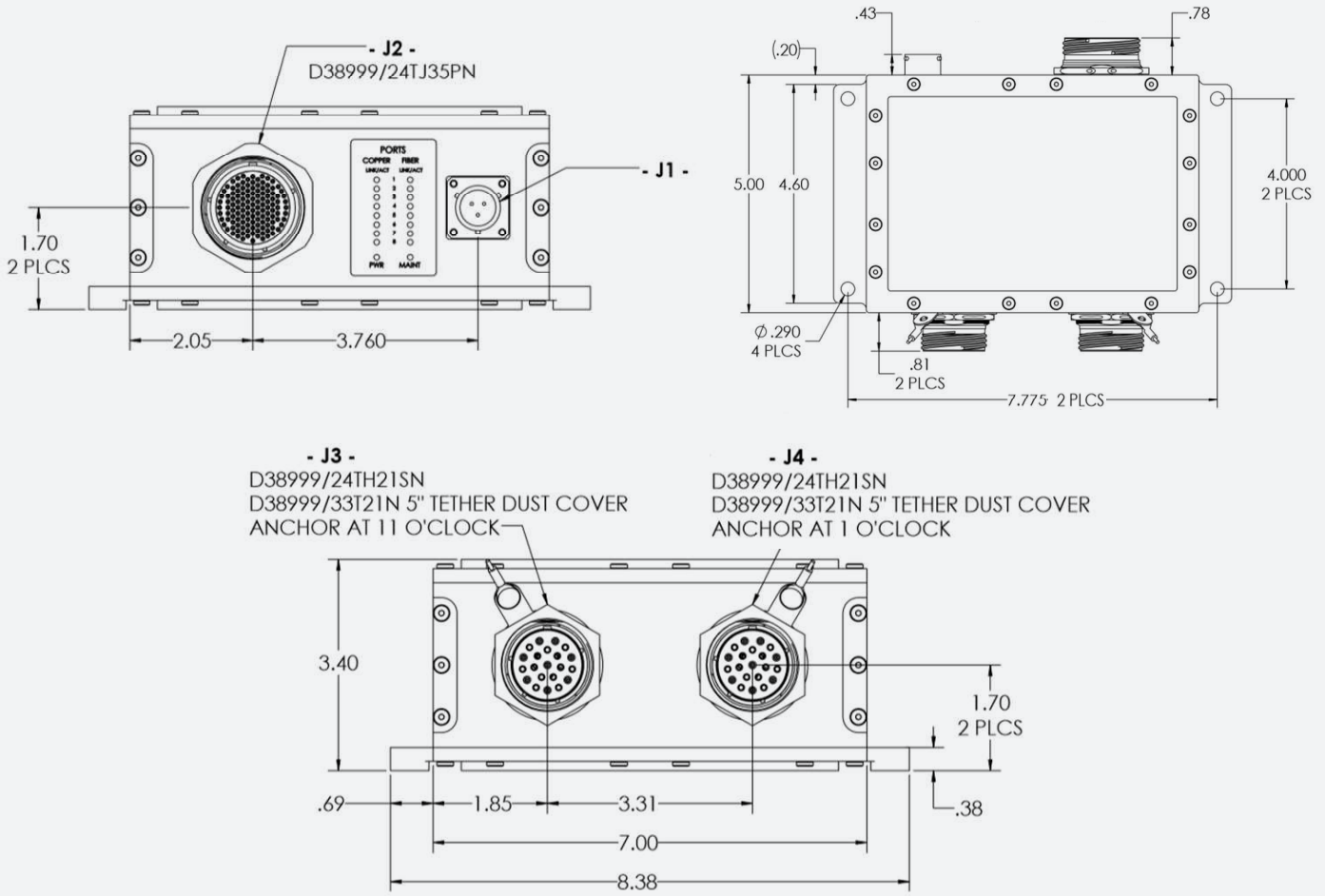
## FEATURES

- 8+8 port L2+ Ethernet switch in a rugged aluminum housing with D38999 connector interfaces
- 8x 100Base-FX or 8x 1000Base-SX optical ports
- 8x auto-negotiable 10/100/1000Base-T Ethernet ports
- Extended L2 functionality, including jumbo frame support
- Compact size and light weight for simple mounting and installation
- Available with OD-CD, ZN-NI or electroless NI connector finishes
- Standard operating temperature range from -40° to +85° C
- 28 VDC power supply input (12 - 36 VDC) per MIL-STD-704F/MIL-STD-1275D
- Conduction cooled
- Consumes less than 20 watts at 28 VDC
- Weighs approximately 97 oz (6 lbs)
- Optional LED indicator, connector finishes, and connectivity options (different port count, form factors and fiber contacts can be made available)

Application	Part Number
8x 10/100/1000Base-T, 8x 100Base-FX	VS526-AMWN-002

# VIKING 8+8 PORT L2+ ETHERNET SWITCHES 8X 10/100/1000BASE-T PLUS 8X 100BASE-FX PORTS 28 VDC, MM, 850 NM

## MECHANICAL DIMENSIONS INCHES



## 2025 PRICING

Quantity 1 - 5 .....	\$68,602.86
Quantity 6 - 9 .....	\$54,882.29
Quantity 10 - 49 .....	\$48,632.02
Quantity 50-99 .....	\$47,173.06
Quantity 100-999.....	\$46,200.42
Quantity 1000-2499.....	\$42,455.75

- Pricing subject to selected options.  
 - Pricing and availability are subject to selected options and then-current market conditions.  
 - The Moog Terms of Sale will exclusively apply to any resulting orders which are available upon request.



192 Bob Fitz Road, Johnson City, TN 37615  
 salesmp@moog.com  
 moogprotokraft.com