



LIGHTWEIGHT DUAL RAIL LAUNCHER (DRL) WITH INTEGRATED HELLFIRE® INTERFACE UNIT (HIU)



The Moog DRL is a modern take on a proven performer, supporting the entire family of HELLFIRE Missiles (all AGM-114 variants).

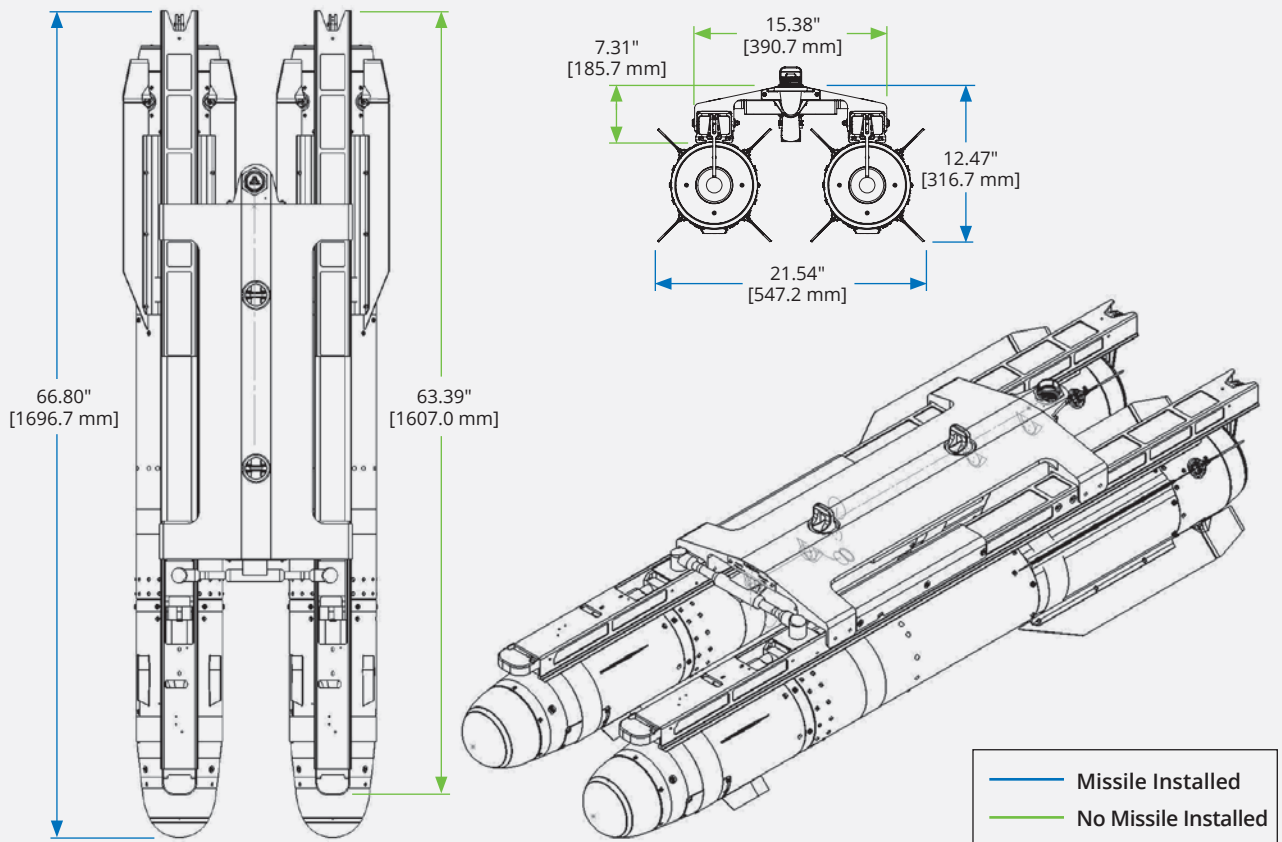


KEY FEATURES

- Modern launcher design with lightweight electronics and hard-back provides the carrier platform with longer flight time
- Incredibly lightweight, only 46 lbs including launcher electronics (Moog HIU)
- MIL-STD-1760 Weapon Systems Interface with custom connector location on the DRL for different pylon requirements
- Wheel Lock Trigger (WLT) rails provide easier loading and lower release force than M299 rails
- Optimized for light attack, UAS, and ISR platforms
- Expandable capabilities to support JAGM and UAI weapons

LIGHTWEIGHT DUAL RAIL LAUNCHER

DRL DIMENSIONS



PERFORMANCE

Features

Specifications

Features	Specifications
MIL STD	MIL-STD-1553, MIL-STD-1760 Class IIA, MIL-STD-8591
Connectors	D38999 MIL-STD-1760 Compliant
Buses	MIL-STD-1760 Compliant
Communications	MIL-STD-1553
Tested to:*	MIL-STD-810, MIL-STD-461, MIL-STD-704

*Detailed test report summaries available upon request and execution of an NDA.

MOOG
SPACE AND DEFENSE GROUP

Integrated Defense Systems
7455 Emerald Dunes Drive, Suite 2200, Orlando, FL 32822
+1.407.242.0679
www.moog.com



Moog Space and Defense



@MoogSDG



@Moog_Inc



@Moog.Inc

The appearance of U.S. Department of Defense (DoD) visual information does not imply or constitute DoD endorsement.

Equipment described herein falls under the jurisdiction of the ITAR and requires US Government Authorization for export purposes. Diversion contrary to US law is prohibited.

© 2024 Moog, Inc. All rights reserved.

Product and company names listed are trademarks or trade names of their respective companies.