



Credit: Fulcrum Concepts, LLC.



Credit: Photo Courtesy Air Tractor® Inc. and L3 Technologies® Inc.

RAPID WEAPONIZATION

WEAPON STORES
MANAGEMENT SYSTEMS

WEAPON STORES MANAGEMENT SYSTEM

The Moog Weapon Stores Management System (SMS) is a highly integrated commercial off-the-shelf (COTS) weapons system that seamlessly connects with platform sensors and mission management software. This system provides the crew with an exceptional fire-control capability from firing simple guns and rockets to complex fire systems with laser guided missiles. It is a proven, lightweight, and rugged system offering an economical approach to weapon stores management across air, land, and sea platforms. The SMS utilizes extensive expertise in systems integration, internal software development, weapons technology, and fire-control solutions.

It has an adaptable modular design which allows for quick integration and future upgrades of avionics, sensors, and weapons. This ensures its continued relevance for upcoming mission needs and future weapon expansions, including Universal Armament Interface (UAI).

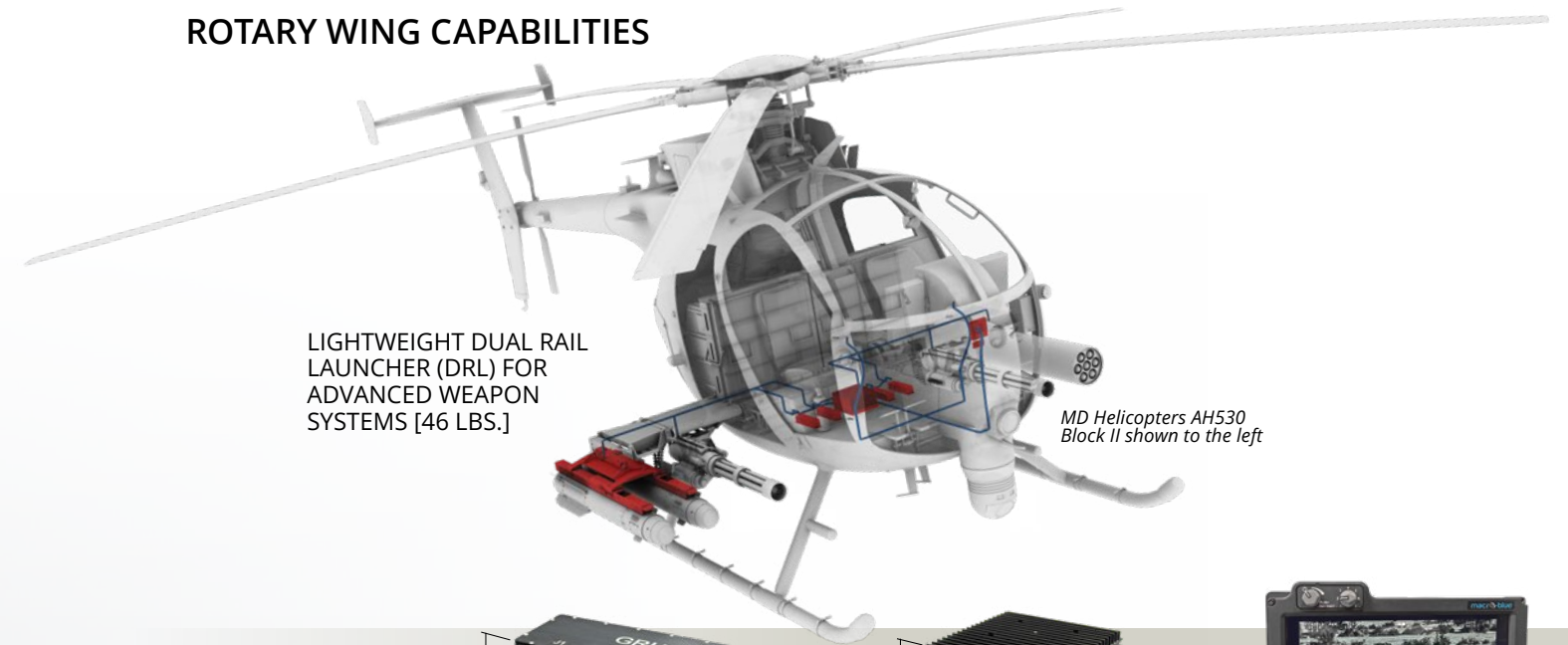
KEY FEATURES

- Lightweight – half the weight of comparable systems
- Compact and flexible modular design for optimized installation
- Air worthiness qualified
- High performance with latest technology available
- Third party open user interface for rapid custom integrations with smart displays, moving map and mission management software suppliers
- UAI – weapon capable
- SMS software approved as non safety-critical DO-178C DAL E
- Qualified to MIL-STD-810G, MIL-STD-461G
- Compliant to MIL-STD-704F
- MIL-STD-1760, MIL-STD-1553, ARINC 429, analog and digital I/O, Ethernet, RS232/RS422, and serial interfaces available



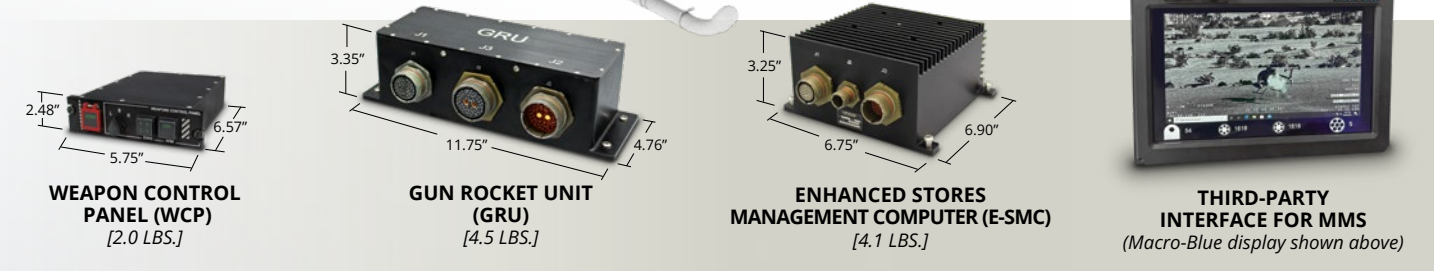
Credit: Lockheed Martin

ROTARY WING CAPABILITIES



LIGHTWEIGHT DUAL RAIL LAUNCHER (DRL) FOR ADVANCED WEAPON SYSTEMS [46 LBS.]

MD Helicopters AH530 Block II shown to the left



WEAPON CONTROL PANEL (WCP) [2.0 LBS.]



GUN ROCKET UNIT (GRU) [4.5 LBS.]



ENHANCED STORES MANAGEMENT COMPUTER (E-SMC) [4.1 LBS.]



THIRD-PARTY INTERFACE FOR MMS (Macro-Blue display shown above)



Fulcrum Concepts CLAW (Configurable Lightweight Armament Wing) shown to the left



STORES CONTROL PANEL (SCP) [2.3 LBS.]



ENHANCED STORES INTERFACE UNIT (E-SIU) [4.5 LBS.]



CUSTOMIZABLE E FIS PRIMARY FLIGHT AND MULTI-FUNCTION DISPLAYS

See the extensive SMS weapon options supported by Moog at www.moog.com/sms. Black Hawk SMS components are shown in an example configuration.

WEAPON STORES MANAGEMENT SYSTEM (cont.)

FIXED WING CAPABILITIES

SMS THIRD PARTY INTERFACE WITH L3 FORCEEX WIDOW® MISSION MANAGEMENT SYSTEM



STORES CONTROL PANEL (SCP)
DEPTH (Not Shown): 5.85"
[1.59 LBS.]



LASER ARM PANEL (LAP)
DEPTH (Not Shown): 5.08"
[1.8 LBS.]



STORES INTERFACE UNIT (SIU)
[3.5 LBS.]



REMOTE POWER UNIT (RPU-6)
[4.0 LBS.]



ENHANCED STORES MANAGEMENT COMPUTER (E-SMC)
[4.1 LBS.]

PORTABLE WEAPONS MANAGEMENT SYSTEM

The Portable Weapons Management System (PWMS) is a revolutionary solution for managing and deploying weapon systems in the field. Designed for ultimate portability, PWMS features a lightweight, compact design that allows for seamless transport and rapid deployment in diverse environments. Whether in urban settings or remote locations, this state-of-the-art system ensures operational readiness and tactical advantage.

PWMS excels in discreet operation and configurability, enabling users to engage in covert missions without sacrificing functionality. The system integrates effortlessly with a wide range of weapon systems across both ground-based and air platforms. With a comprehensive digital interface, users can access real-time analytics and operational insights to make informed decisions in critical situations. Built with robust security features, PWMS prioritizes data integrity and operational security, making it the preferred choice for military and other government agencies.

KEY FEATURES

- Robust third-party interface provides seamless integration with existing systems
- Intuitive controls for quick training
- Advanced security features encryption and secure communication protocols
- Scalable to accommodate future upgrades and features
- Rugged construction for harsh environments
- Access to robust support, training, and maintenance resources



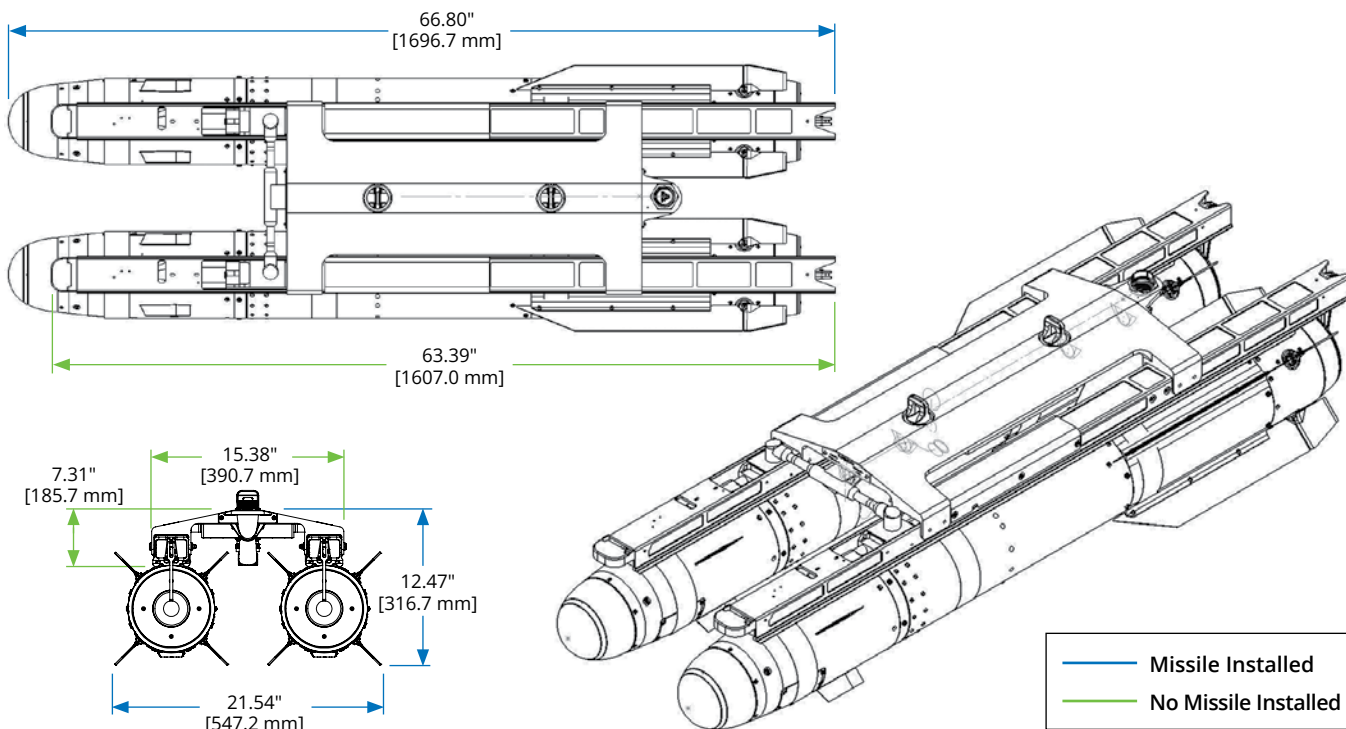
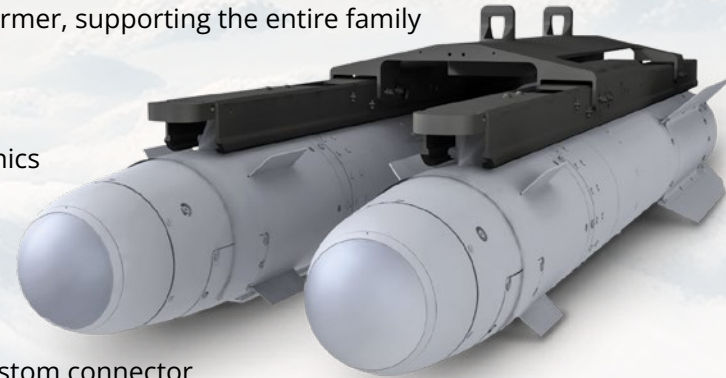
LIGHTWEIGHT DUAL RAIL LAUNCHER

WITH INTEGRATED HELLFIRE® INTERFACE UNIT (HIU)

The Moog DRL is a modern take on a proven performer, supporting the entire family of HELLFIRE Missiles (all AGM-114 variants).

KEY FEATURES

- Modern launcher design with lightweight electronics and hard-back provides the carrier platform with longer flight time
- Incredibly lightweight, only 46 lbs including launcher electronics (Moog HIU)
- MIL-STD-1760 Weapon Systems Interface with custom connector location on the DRL for different pylon requirements
- Wheel Lock Trigger (WLT) rails provide easier loading and lower release force than M299 rails
- Optimized for light attack, UAS, and ISR platforms
- Expandable capabilities to support JAGM and UAI weapons



MISSILE SIMULATOR

RAIL MOUNT VERSION AGM-114

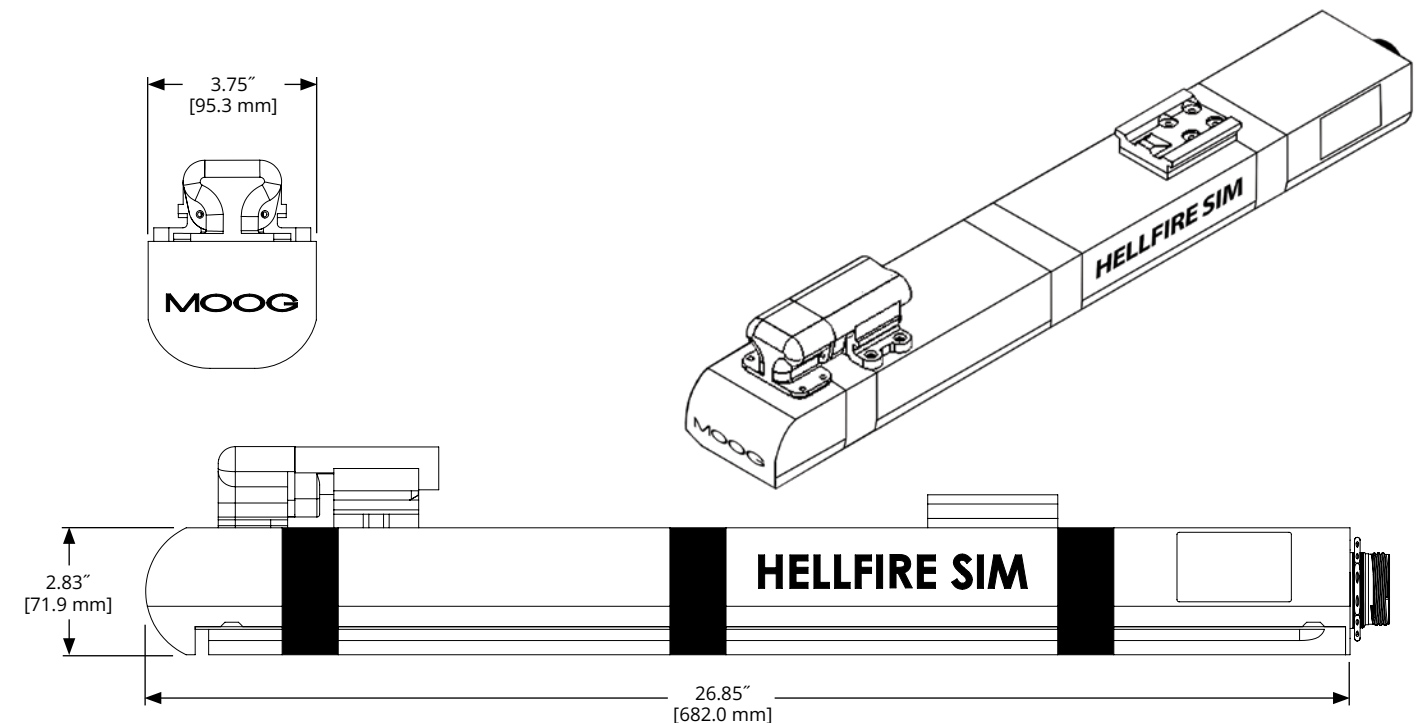
The Moog Missile Simulator (MSL SIM) is a flightworthy, rail-mount design that simulates different types of AGM-114 HELLFIRE® missiles. It can inject faults, provide detailed status, and generate log files for analysis. Available as a simple, pre-configured Captive Air Training Missile (CATM) replacement, or as a full-featured test and diagnostic asset, the MSL SIM can be used for in-flight training, maintenance operational checks (MOCs), and software development.

It may be controlled via the Moog Missile Simulator Controller (MSC), using any device with a web browser, such as tablets, Smartphones, or laptops.

The MSC allows users real-time interactive control of multiple MSL SIMs installed on the platform launcher rails like the Moog Lightweight Dual Rail Launcher (DRL).

KEY FEATURES

- Full simulation of HELLFIRE II missiles AGM-114F-K,P,R
- Full simulation of Longbow HELLFIRE missile AGM-114L
- Incredibly lightweight – 10 lbs
- HELLFIRE launchers supported include Moog DRL, M310, and M299
- Flightworthiness tested and MIL-STD-810 tested
- Simulates seeker functions
- Wired and wireless models available



EQUIPPING THOSE WHO DEFEND FREEDOM

MOOG | Shaping the way our world moves™

sws@moog.com
www.moog.com/sms



MoogSpace and Defense



Moog Inc.



@Moog_Inc



@Moog.Inc

The appearance of U.S. Department of Defense (DoD) visual information does not imply or constitute DoD endorsement. Equipment described herein falls under the jurisdiction of the ITAR and requires US Government Authorization for export purposes. Diversion contrary to US law is prohibited.

© 2025 Moog, Inc. All rights reserved.
Product and company names listed are trademarks or trade names of their respective companies.



Various background images were AI generated.

Form 500-1456 012425